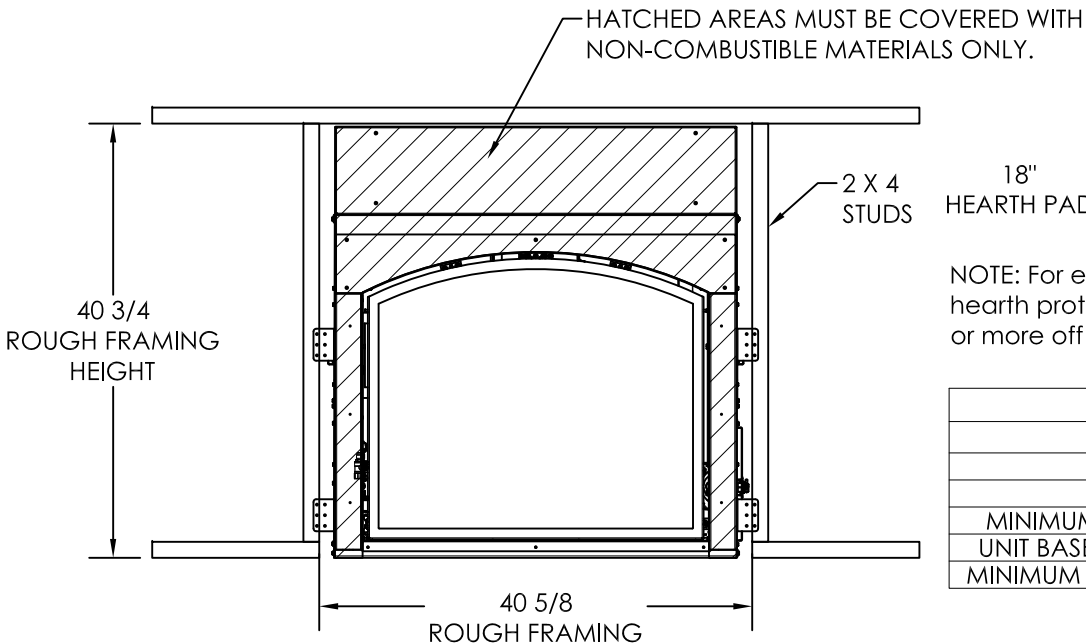
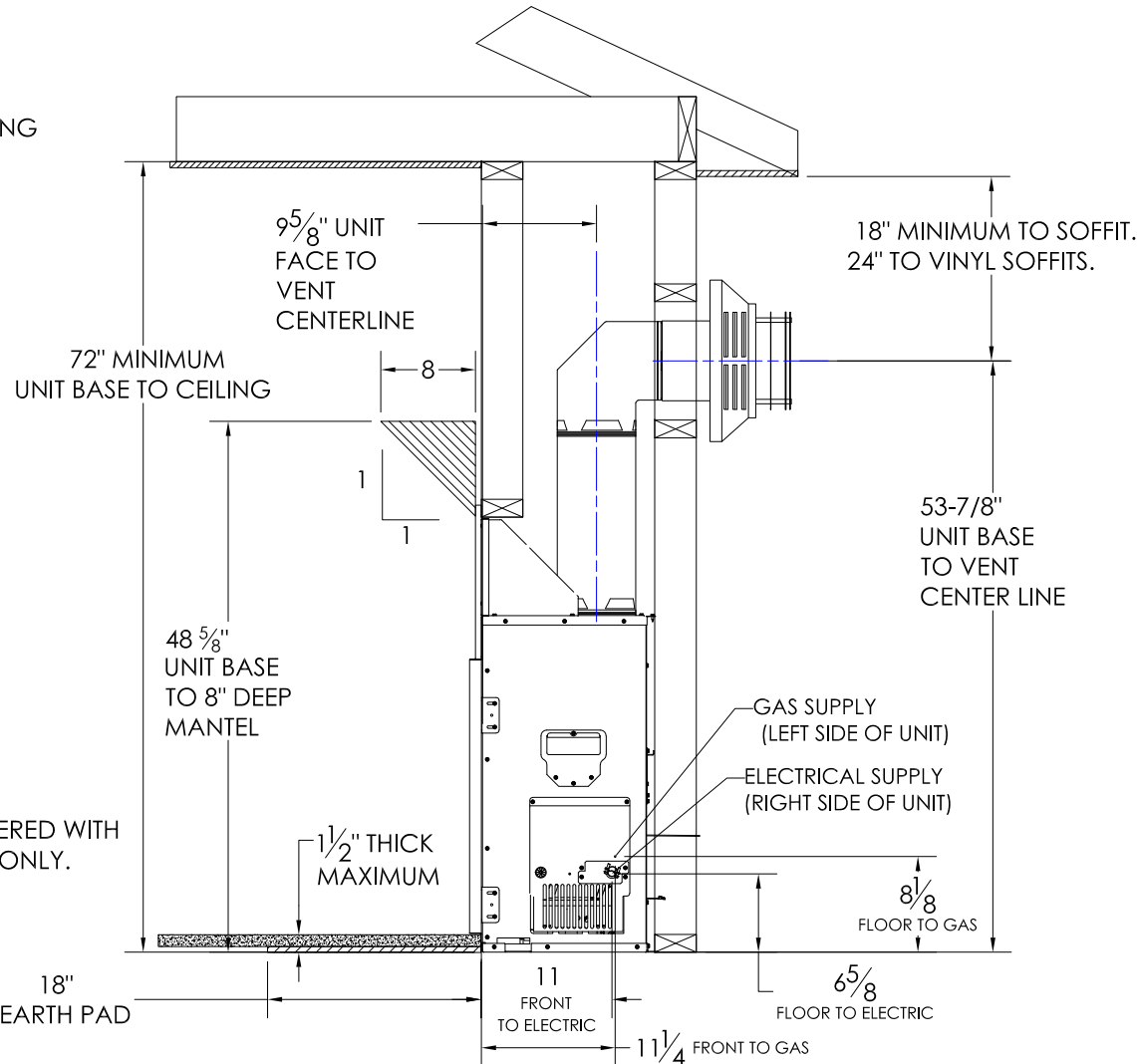
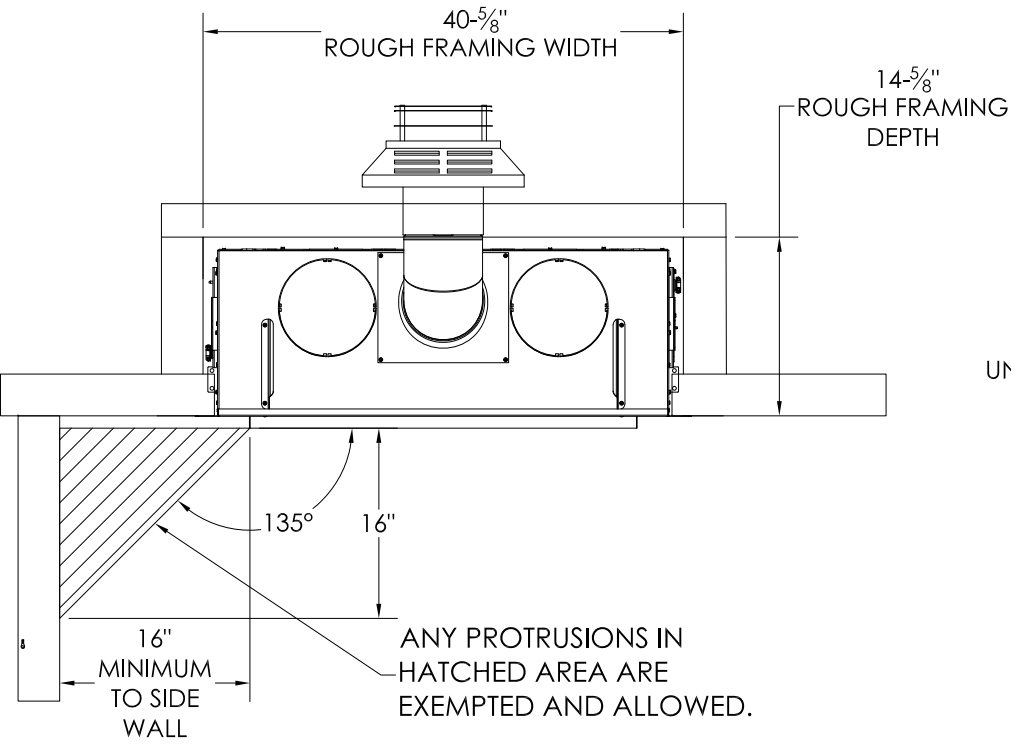


FV34 ARCH FULLVIEW SPECIFICATIONS



NOTE: For every 1" this fireplace is raised off the floor, the non-combustible hearth protection pad may be reduced by 2". If this fireplace is raised 6" or more off the floor, no hearth protection pad is required.

MINIMUM REQUIRED DIMENSIONS	
ROUGH FRAMING WIDTH	40-5/8"
ROUGH FRAMING HEIGHT	40-3/4"
ROUGH FRAMING DEPTH	14-5/8"
MINIMUM FINISHING MATERIALS TOTAL THICKNESS	1"
UNIT BASE TO ROOM CEILING MINIMUM DISTANCE	72"
MINIMUM DISTANCE TO 8" MANTEL ABOVE UNIT BASE	48-5/8"