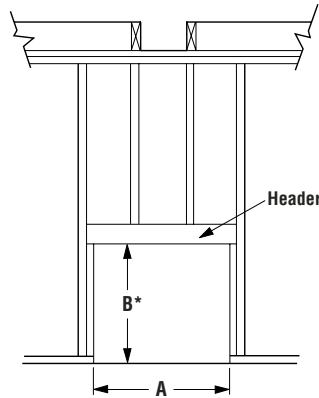


STARLITELX 36/42

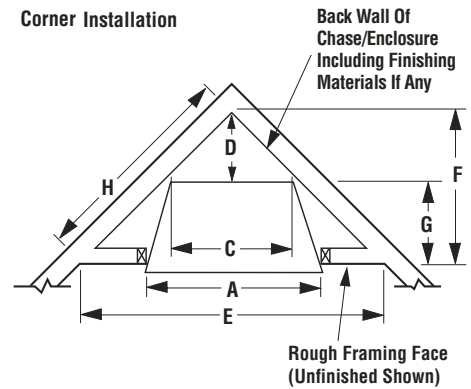
OUTDOOR DECORATIVE GAS FIREPLACE

Framing Dimensions

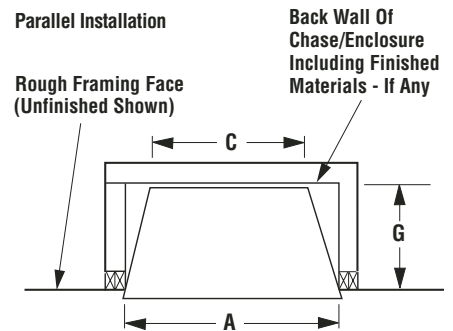
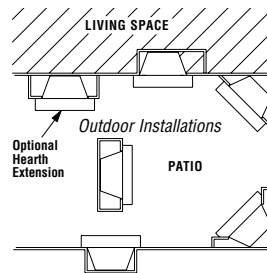
Opening	StarLiteLX36	StarLiteLX42
A	42-3/4" (1086)	48-3/4" (1238)
B	46-1/2" (1181)	46-1/2" (1181)
C	23-5/8" (600)	29-5/8" (753)
D	11-1/4" (286)	14-1/4" (362)
E	63-1/2" (1613)	69-1/2" (1765)
F	31-3/4" (807)	34-3/4" (883)
G	20-1/2" (521)	20-1/2" (521)
H	44-1/4" (1124)	49-1/8" (1248)



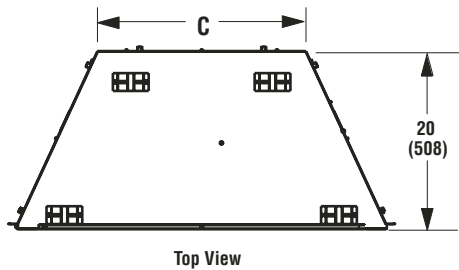
* Increase Framing Height By 3/4" When Using Optional Drain Pan



These appliances comply with National Safety Standards and are tested by PFS Corporation (Report No. F14-020) and listed by ANSI Z21.97 (2017) in USA and to CSA 2.41 (2017) in Canada, as outdoor gas fireplaces.

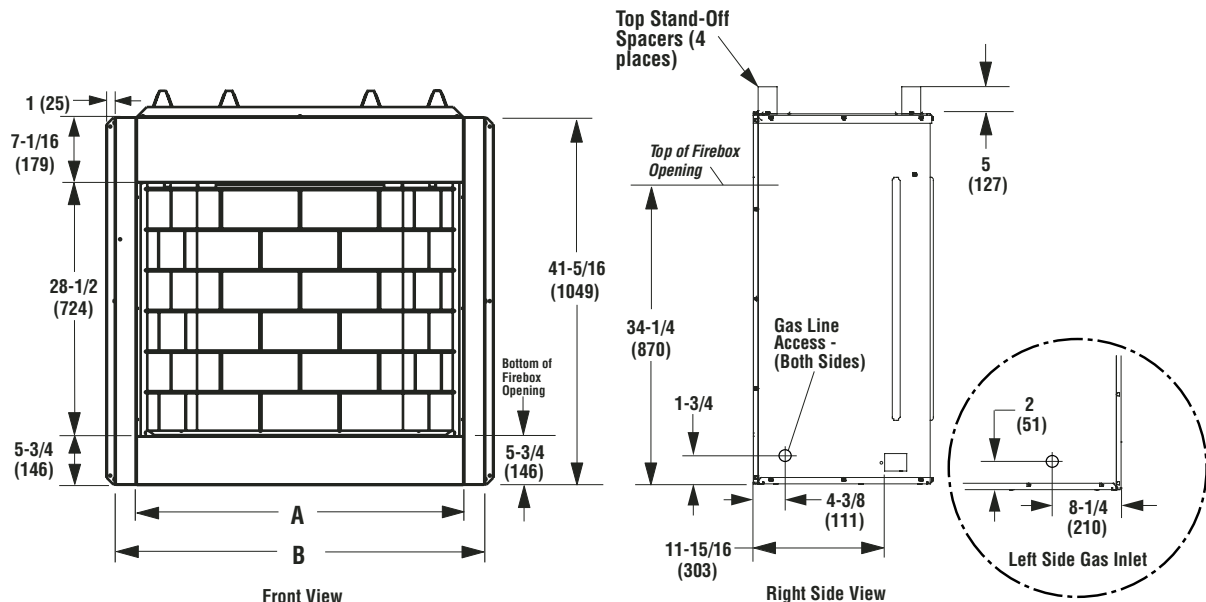


Listing Information



Dimensions - Inches (millimeters)			
Model	A	B	C
StarLiteLX36	37 (940)	41-3/4 (1061)	23-1/2 (597)
StarLiteLX42	43 (1092)	47-3/4 (1213)	29-1/2 (749)

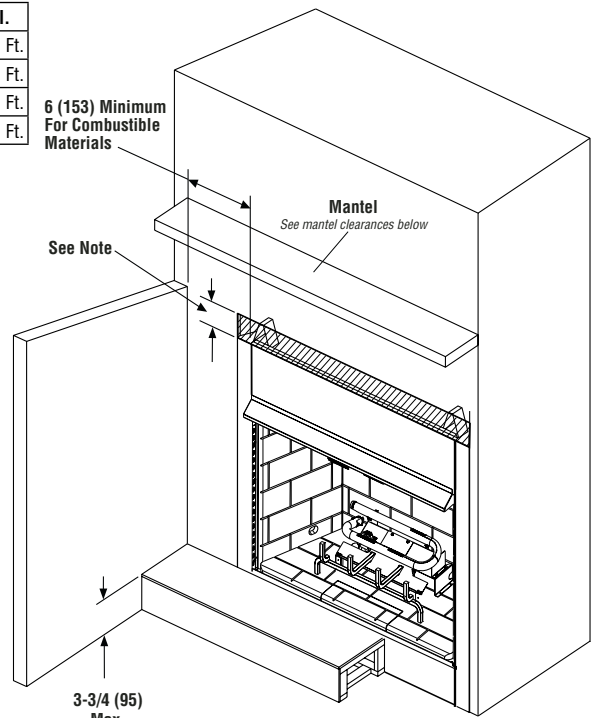
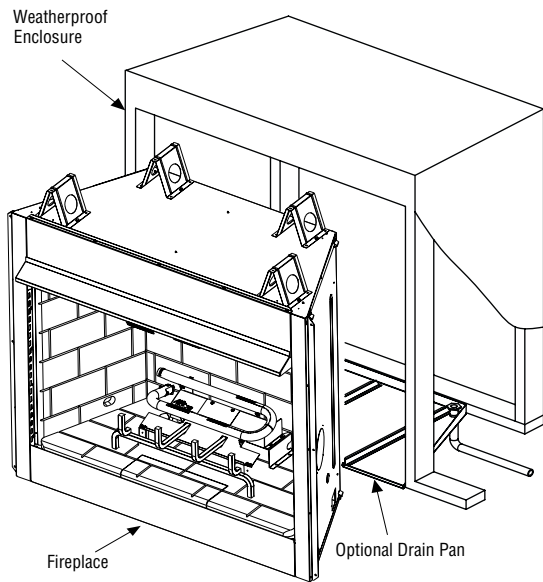
Fireplace Specifications



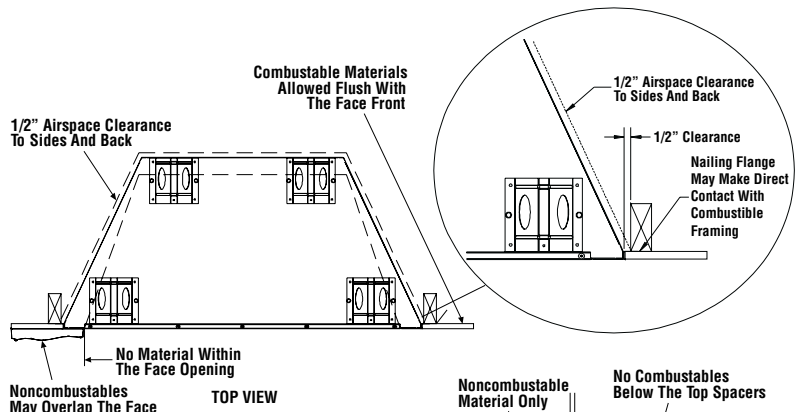
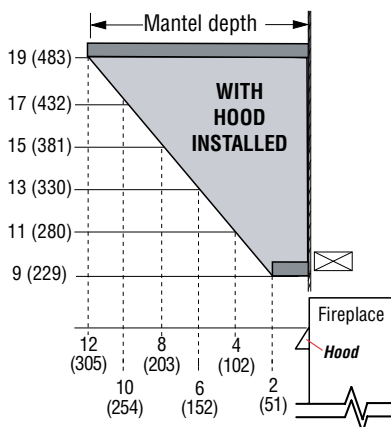
STARLITELX 36/42

Cat.#	Model	Ship. Wt.	Ship. Vol.	Cat.#	Model	Ship. Wt.	Ship. Vol.
F4110	StarLiteLX36ZENWS	260 lb.s	28.424 Cu. Ft.	F4114	StarLiteLX42ZENWS	290 lb.s	32.184 Cu. Ft.
F4111	StarLiteLX36ZENWH	260 lb.s	28.424 Cu. Ft.	F4115	StarLiteLX42ZENWH	290 lb.s	32.184 Cu. Ft.
F4112	StarLiteLX36ZEPWS	260 lb.s	28.424 Cu. Ft.	F4116	StarLiteLX42ZEPWS	290 lb.s	32.184 Cu. Ft.
F4113	StarLiteLX36ZEPWH	260 lb.s	28.424 Cu. Ft.	F4117	StarLiteLX42ZEPWH	290 lb.s	32.184 Cu. Ft.

Typical Installation



Mantel Clearances



CLEARANCES

Minimum clearance to combustibles for the fireplace is as follows; sides and back - 1/2" (13mm), combustible floor - 0" (0mm), adjacent wall 6" (152mm), ceiling - 50" (1270mm).

NOTE: Clearance behind the nailing flange for both fireplace models is 1/2" (13mm).

NOTE: Adjacent wall considerations are for an adjacent wall to only a single side. Walls should not be placed at the minimum distance on both sides of the fireplace. Allow at least 4 feet on one side of the fireplace.

The StarLiteLX Series Outdoor Gas Fireplace is designed for outdoor use. It may also be installed in screened porches and lanais that meet these minimum requirements:

Minimum porch area - 96 sq. ft.
Minimum ceiling height - 7' 8"

A minimum of two (2) walls can be screened but must be open to outside ventilation.
Minimum screen area - 64 sq. ft.
Minimum screen top height - 6' 8"

Clearances

