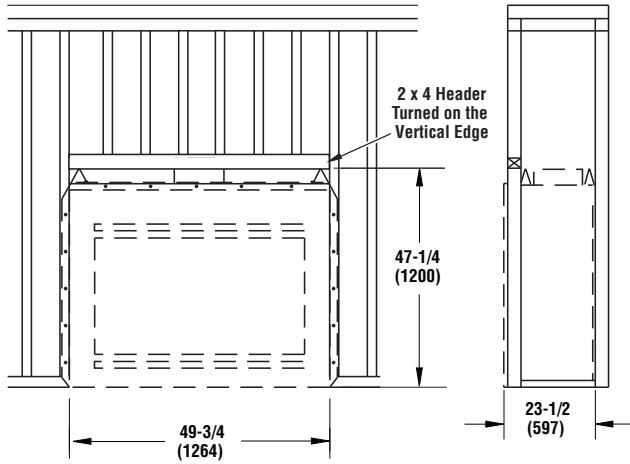


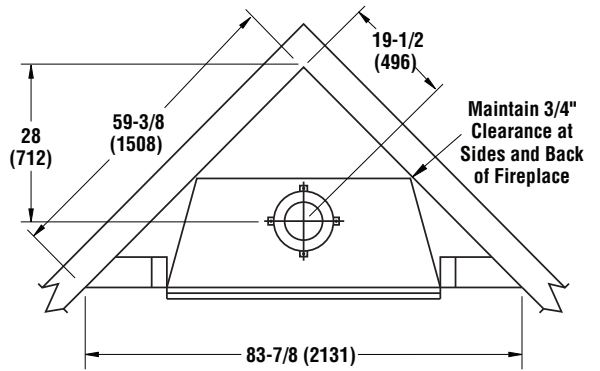
CRAFTSMAN™ 42 SERIES

WOOD-BURNING FIREPLACES

Framing Dimensions



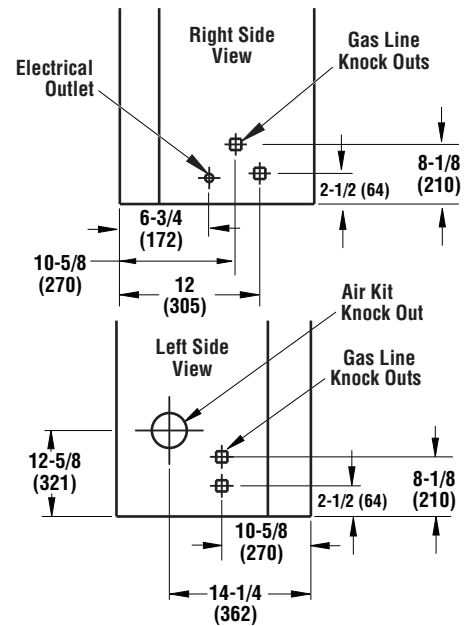
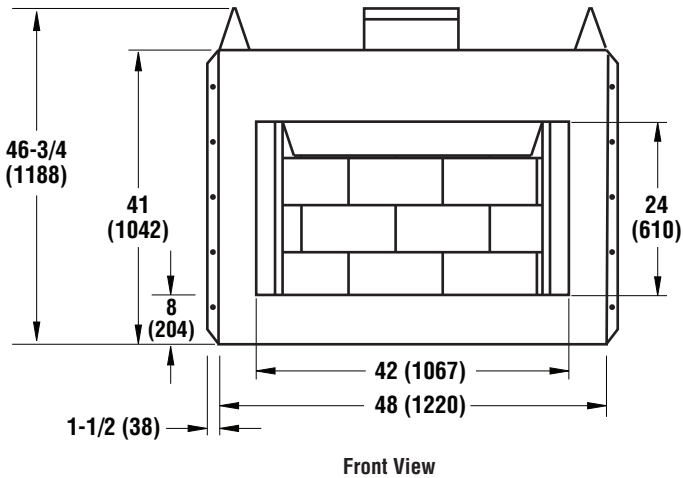
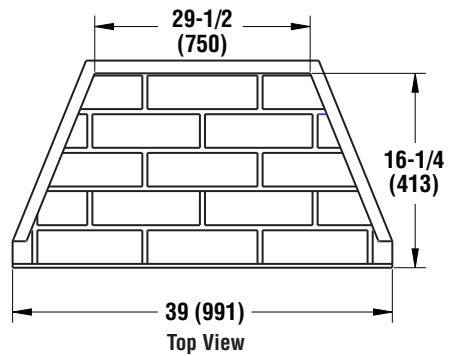
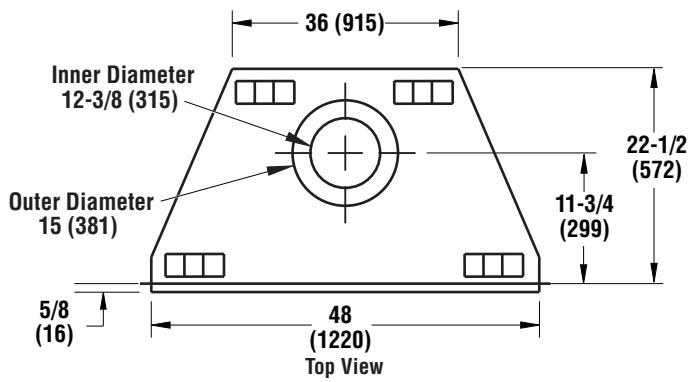
Parallel Framing Dimensions



Corner Framing Dimensions

Inches (millimeters)

Fireplace Dimensions



Inches (millimeters)

CRAFTSMAN™ 42 SERIES

Product Information

Product Reference Information					
Cat. No.	Model	Description	Interior	Shipping Weight	Shipping Volume
F0711	Craftsman42P2	Radiant	WS	184 lb.	23.8 cu. ft.
F0712	Craftsman42P2	Radiant	WS	184 lb.	23.8 cu. ft.
F0713	Craftsman42P3	Radiant	WH	184 lb.	23.8 cu. ft.
F0714	Craftsman42P2	Louvered	WS	184 lb.	23.8 cu. ft.
F0715	Craftsman42P2	Louvered	WS	184 lb.	23.8 cu. ft.
F0716	Craftsman42P3	Louvered	WH	184 lb.	23.8 cu. ft.

Listing Information

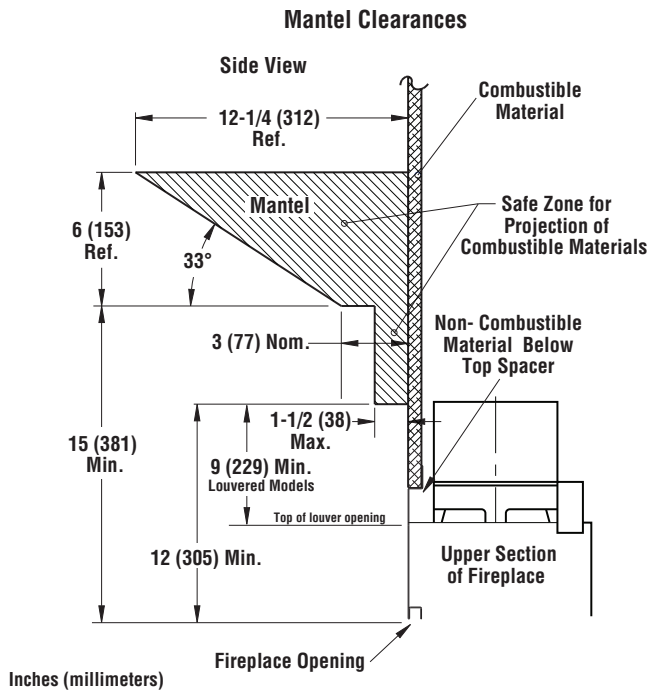
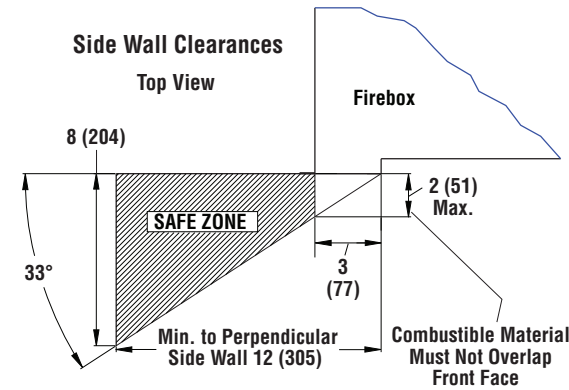


This fireplace has been tested and approved by PFS Corporation under UL127/ULC-S610 standard as a Factory Built Appliance and may be used with gas logs approved to ANSI Z21.60, Z21.84 or Z21.11.2 standards.

Clearances to Combustibles	
Description	Min. Clearance
Back and sides of fireplace	3/4 (19)*
Floor	0 (0)**
Perpendicular wall to opening	12 (305)
Top spacers	0 (0)
Chimney outer pipe surface	1 (26)

* Not required at nailing flanges
 ** See step 2 of Framing in the Installation and Operation Manual

Clearances



Venting

Venting
 Uses Standard (8DM) and Hi-Temp (8HT) Wood-Burning Chimney.

