

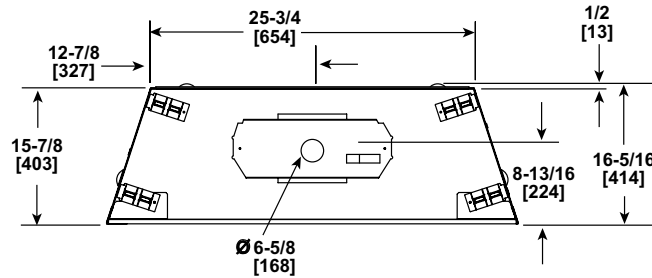


Please consult the manufacturer's installation manual for all details and requirements before making a final design layout decision.

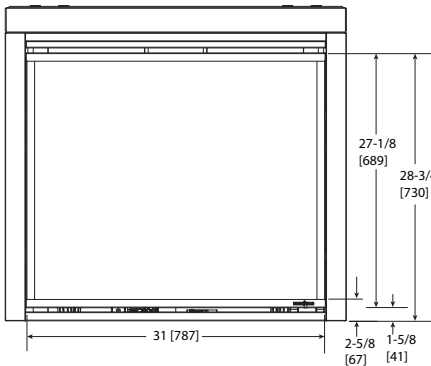
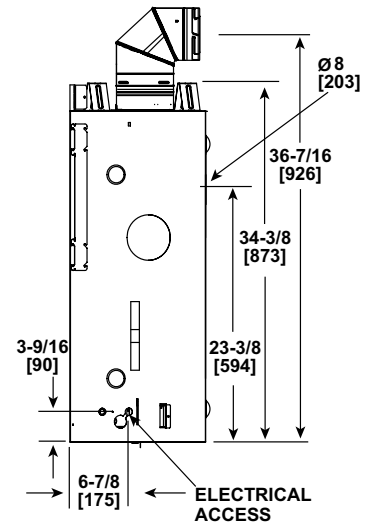
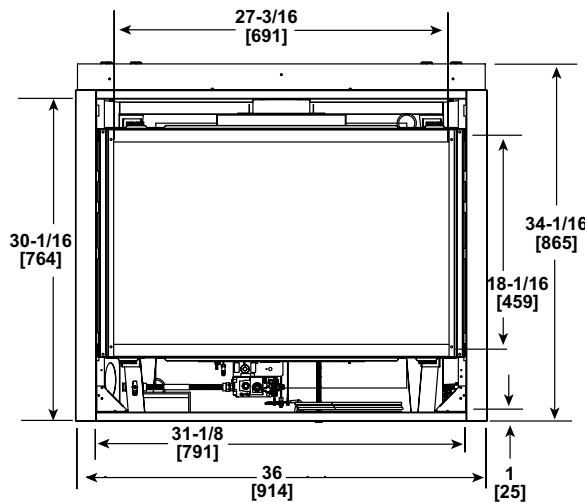
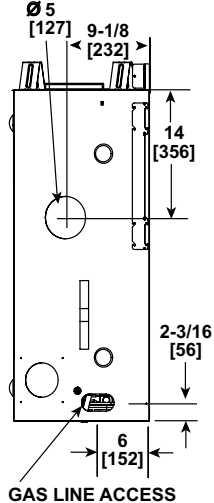
SL-5/5X

Direct Vent Gas Fireplace

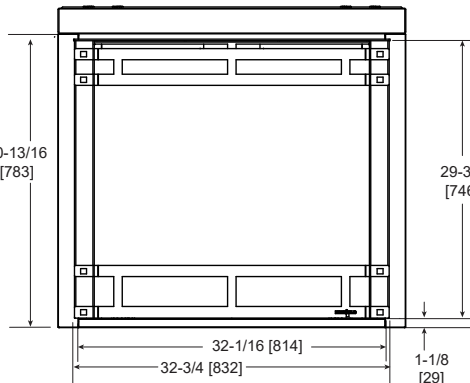
MODEL	FRONT WIDTH		BACK WIDTH		HEIGHT		DEPTH		GLASS SIZE 27-3/16 X 18-1/16 [691 x 459]
	Actual	Framing	Actual	Framing	Actual	Framing	Actual	Framing	
SL-5/5X	36 [913]	37 [940]	25-3/4 [653]	37 [940]	34-3/8 [873]	34-3/4 [882]	16-5/16 [415]	16-1/4 [413]	



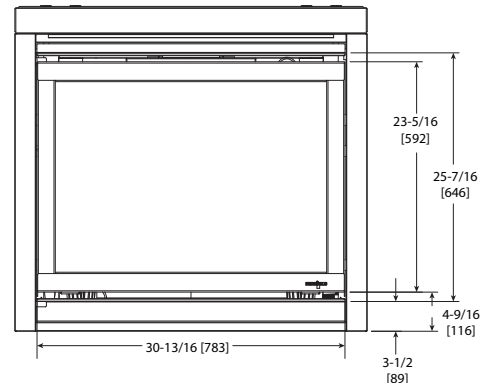
HEAT-ZONE® ACCESS



Firescreen Front



Arcadia, Halston,
and Chateau Forge Fronts



Clean Face Front

MINIMUM FIREPLACE CLEARANCES

AREA	TO COMBUSTIBLES (in inches)
CLEARANCE TO CEILING	32 [51]
COMBUSTIBLE/NON-COMBUSTIBLE FLOOR	0 [0]
BEHIND APPLIANCE	1/2 [13]
SIDES OF APPLIANCE	1/2 [13]
FRONT OF APPLIANCE	36 [914]

APPLIANCE LOCATION

See Install section 5.D for Alcove installation

Model		A	B	C	E	F	G
SL-5/5X	in	42	37	59-1/2	1	1/2	44
	mm	1067	940	1511	25	13	1117
		H	I	J	K	L	M
SL-5/5X	in	62-1/4	16-1/4	48-1/2	68-3/4	15-1/16	7-1/2
	mm	1581	413	1232	1737	383	191

WALL PENETRATION

*Shows center of vent hole for top or rear venting. Center of hole is 1" above the center of the horizontal vent pipe.

MANTEL LEG/WALL PROJECTIONS

Mantel Leg Projection
(acceptable on both sides of opening)

Wall Projection
(acceptable on one side of opening)

FRAMING DIMENSIONS

	A Rough Opening (Width)		B Rough Opening (Height)	C Rough Opening (Depth)		D Rough Opening (Width)
	DVP pipe	SLP pipe		DVP pipe	SLP pipe	
in	10	8-5/8	34-3/4	16-1/4	16-1/4	37
mm	254	219	882	413	413	940

CLEARANCES TO COMBUSTIBLES

Measure from top of unit opening or from top of hood

MANTEL PROJECTIONS

CEILING

TOP OF HOOD

PRODUCT LISTING CODES	
US	ANSI Z21.88a-2014
CAN	CSA 2.33a-M2014
US LISTED	UL307B

Product information provided is not complete and is subject to change without notice. Product installation must adhere strictly to instructions accompanying product to avoid risk of fire and potential injury.

Additional information can be found online at www.heatnglo.com