

## INSTALLER:

Leave this manual with the appliance.

## CONSUMER:

Retain this manual for future reference.

### ⚠ WARNING

If the information in this manual is not followed exactly, a fire or explosion may result causing property damage, personal injury or loss of life.

- Do not store or use gasoline or other flammable vapors and liquids in the vicinity of this or any other appliance.
- **WHAT TO DO IF YOU SMELL GAS**
  - Do not try to light any appliance.
  - Do not touch any electrical switch; do not use any phone in your building.
  - Immediately call your gas supplier from a neighbor's phone. Follow the gas supplier's instructions.
  - If you cannot reach your gas supplier, call the fire department.
- Installation and service must be performed by a qualified installer, service agency or the gas supplier.

### ⚠ WARNING

**"FIRE, EXPLOSION, AND ASPHYXIATION HAZARD**  
Improper adjustment, alteration, service, maintenance or installation of this heater or its controls can cause death or serious injury. Read and follow instructions and precautions in User's Information Manual provided with this heater."

This is an unvented gas-fired heater. It uses air (oxygen) from the room in which it is installed. Provisions for adequate combustion and ventilation air must be provided. Refer to pages 15.

## CONTEMPORARY LINEAR VENT-FREE GAS FIREPLACE MODEL: VFLB(60,72)FP90(N,P)-1



This appliance may be installed in an aftermarket, permanently located, manufactured (mobile) home, where not prohibited by local codes.

This appliance is only for use with the type of gas indicated on the rating plate. This appliance is not convertible for use with other gases.

NATIONAL  
FIREPLACE  
INSTITUTE®



**CERTIFIED**

[www.nficertified.org](http://www.nficertified.org)

We suggest that our gas hearth products be installed and serviced by professionals who are certified in the U.S. by the National Fireplace Institute® (NFI) as NFI Gas Specialists.

**GAS-FIRED**



**LISTED**

UL FILE NO. MH46389

This series is design certified in accordance with American National Standard Institute (ANSI) Z21.11.2 by the Canadian Standards Association Laboratories (CSA) as an Unvented Room Fireplace and should be installed according to these instructions.

# TABLE OF CONTENTS

| SECTION  | PAGE    |
|--|---------|
| Before You Start .....   | 3 - 4   |
| Carton Contents .....  | 5       |
| Hardware Pack.....   | 6       |
| Important Soot Prevention Steps .....                              | 7       |
| Product Specifications.....  | 8       |
| Homeowner Reference Information .....                              | 8       |
| Accessories .....  | 9       |
| Introduction .....   | 10      |
| Important Safety Information.....                                  | 11      |
| Safety Information for Users of Propane Gas .....                  | 12      |
| Important Installation Guidelines.....                             | 13      |
| Water Vapor: A By-Product of Unvented Room Heaters .....           | 13      |
| Provisions for Adequate Combustion And Ventilation Air .....       | 14 - 15 |
| Fireplace Dimensions.....  | 16      |
| Clearances .....   | 17      |
| Adding Nailing Flanges And Standoff Brackets.....                  | 18 - 19 |
| Utility Installation .....   | 20 - 24 |
| Installation OPTION 1 - Clean Face.....                            | 25      |
| OPTION 1 - Clean Face (Non - Combustible Board Installation).....  | 26 - 28 |
| Installation OPTION 2 - Flush Mount .....                          | 29      |
| OPTION 2 - Flush Face (Non - Combustible Board Installation) ..... | 30 - 32 |
| Completing Installation.....                                       | 33 - 34 |
| Lighting Instructions .....  | 35      |
| Pilot Flame Characteristics .....                                  | 36      |
| Proflame - IP Control System.....                                  | 37      |
| Trouble Shooting .....   | 38 - 41 |
| VFLB(60,72)FP90 - Exploded View .....                              | 42      |
| VFLB(60,72)FP90 - Parts List.....                                  | 43      |
| Service Technician Notes .....                                     | 44 - 45 |
| Master Parts Distributor List.....                                 | 46      |
| How To Order Repair Parts .....                                    | 46      |
| Warranty.....  | 47      |

# BEFORE YOU START

## UNPACKING THE FIREPLACE

1. Remove the six screws securing the plywood top to the corner supports. Remove the plywood top and discard.
2. Remove the two screws securing each side of the corner and center supports to the pallet. Remove the corner and center supports and discard.
3. Cut the banding securing the fireplace to the pallet. Discard the banding.

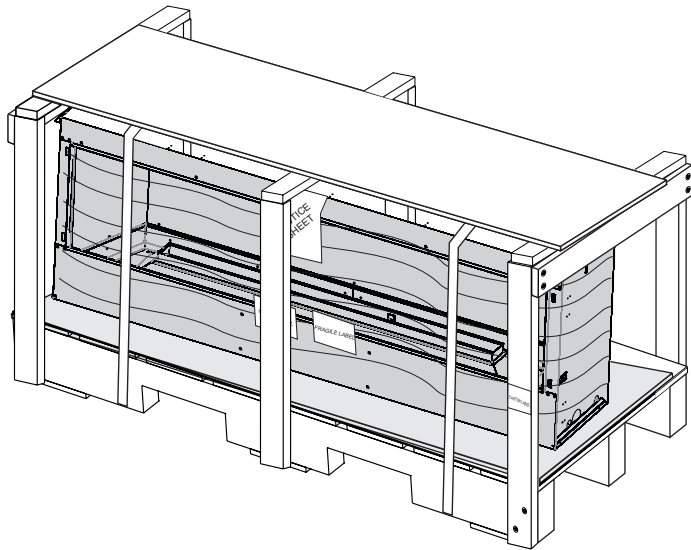


Figure 1

4. Remove the plastic wrap securing the hardware box to the fireplace. Discard the plastic wrap. Open the hardware box, remove the instruction packet, and set the hardware box to side.

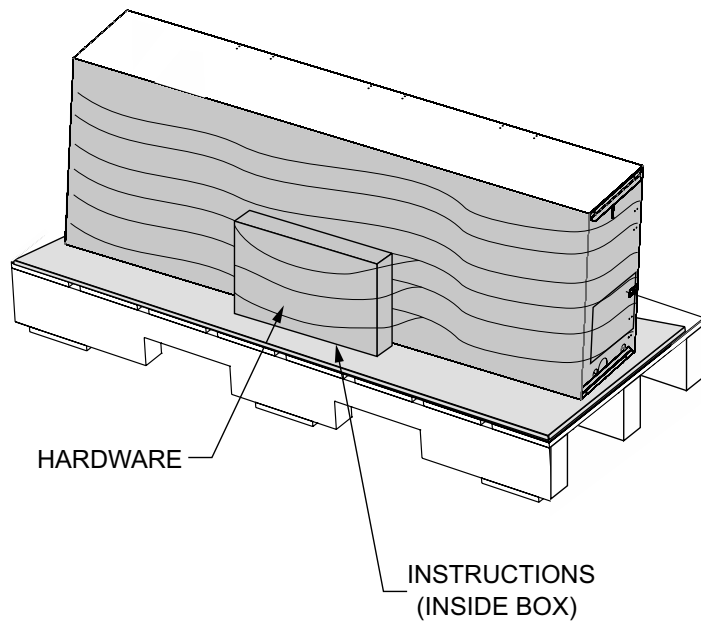


Figure 2

5. Carefully remove the bundle from inside the fireplace. This bundle contains two center glass supports and the burner deflector glass. Put the bundle in an out of the way place to avoid damaging the components.
6. Lift the fireplace off the pallet and place it near the installation site. If the fireplace must be placed on end so that a hand truck may be used for transportation, remove all loose components from inside the fireplace. Truck from the left end (when facing the fireplace opening) only.
7. Remove the non-combustible board from the pallet.

**NOTICE:** Non-combustible board is required for installation above the fireplace as specified in the installation instructions.

# BEFORE YOU START (CONT'D)

## SAMPLE WARNINGS AND DEFINITIONS:

### DANGER

Indicates a hazardous situation which, if not avoided, will result in death or serious injury.

### WARNING

Indicates a hazardous situation which, if not avoided, could result in death or serious injury.

### CAUTION

Indicates a hazardous situation which, if not avoided, could result in minor or moderate injury.

**NOTICE:** Addresses practices not related to personal injury.

## INSTALLATION INFORMATION

1. Read the soot prevention information on page 7.
2. Read the safety information on pages 11 - 12.
3. Frame the opening. See page 26 for Clean Face Installation, or page 30 for Flush Mount Installation.
4. Install the gas lines. See pages 20 - 22.
5. Install the wiring. See pages 22 - 24.
6. Install the remote system. See pages 37.
7. Light the fireplace. See page 35.
8. For detailed instructions on operating the Proflame - IP Control System, see page 37 and Homeowner's Manual.
9. For detailed instructions on operating LED controls, (see Homeowner's Manual.)
10. Show the homeowner how to operate the fireplace. (See Homeowner's Manual.)
11. Show the homeowner how to do the basic maintenance. (See Homeowner's Manual.)

## FIREPLACE INSTALLATION GUIDELINES

Determine where to install the fireplace. The fireplace can be mounted on any of these surfaces:

1. A flat hard combustible or non-combustible surface.
2. A raised platform of combustible or non-combustible material.

If the fireplace is installed directly on carpeting, tile or other combustible material other than wood flooring, it must be installed on a metal or wood panel extending the full width and depth of the fireplace.

This fireplace is designed to be installed in a zero-clearance enclosure. This means combustible material such as framing lumber can come in contact with the top and side standoff spacers, and secured to combustible framing using the framing brackets provided.

This fireplace requires an easily accessible gas shutoff valve be installed in the gas supply line prior to its entry to the fireplace.

Determine the following before installation:

- Any desired accessories
- Gas supply piping (left side entrance).
- Electrical connections
- Electrical supply requirements for lights. (120V, 60Hz, 1 Amp) (left side entrance)

A shut-off valve containing a flange and key is recommended.

## FINISHING OPTIONS

Choose from two finishing options.

**Option 1 - Clean Face:** This type of installation starting on (pages 25, 26, 27 and 28) will allow for finishing around the fireplace opening with high temperature paint.

**Option 2 - Flush Mount:** This type of installation starting on (pages 29, 30, 31 and 32) will allow you to apply tile, marble, stone or other non-combustible material over the face of the fireplace cabinet, up to the fireplace opening flange.

### CAUTION

**PARTS MAY HAVE SHARP EDGES.**

**Wear leather gloves and handle parts carefully to protect hands during unpacking, assembly, and installation.**

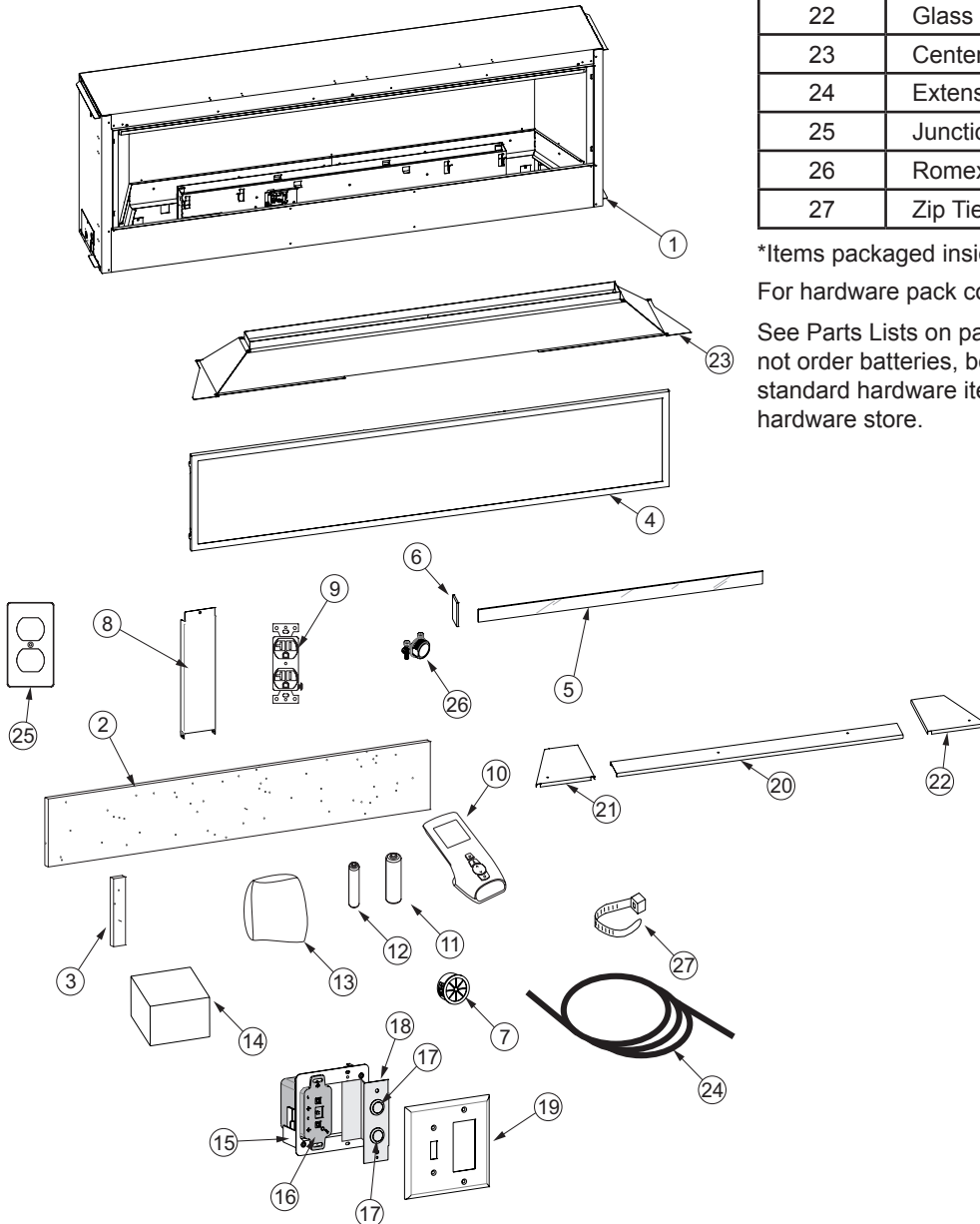
# CARTON CONTENTS

Items not shown to scale.

| VFLB(60,72)FP90 SERIES |                               |                   |
|------------------------|-------------------------------|-------------------|
| Index No.              | Description                   | Quantity Supplied |
| 1                      | Fireplace                     | 1                 |
| 2                      | Non-combustible Board - Top   | 1                 |
| 3                      | Non-combustible Board - Side* | 2                 |
| 4                      | Barrier Screen Assembly       | 1                 |
| 5                      | Burner Glass                  | 1                 |
| 6                      | Side Burner Glass*            | 2                 |
| 7                      | Bushing*                      | 2                 |
| 8                      | Standoff Bracket*             | 3                 |
| 9                      | Receptacle*                   | 1                 |
| 10                     | Remote*                       | 1                 |

| VFLB(60,72)FP90 SERIES |                            |                   |
|------------------------|----------------------------|-------------------|
| Index No.              | Description                | Quantity Supplied |
| 11                     | AA Battery*                | 4                 |
| 12                     | AAA Battery*               | 3                 |
| 13                     | Hardware Pack*             | 1                 |
| 14                     | AC Adaptor*                | 1                 |
| 15                     | Wall mounted Control Box*  | 1                 |
| 16                     | Remote Receiver*           | 1                 |
| 17                     | Button Switch*             | 2                 |
| 18                     | Mounting Bracket*          | 1                 |
| 19                     | Wall Plate*                | 1                 |
| 20                     | Glass Support Center       | 2                 |
| 21                     | Glass Support Side Left*   | 1                 |
| 22                     | Glass Support Side Right*  | 1                 |
| 23                     | Center Reflector Assembly  | 1                 |
| 24                     | Extension Receiver Harness | 1                 |
| 25                     | Junction Box Cover*        | 1                 |
| 26                     | Romex Connector*           | 1                 |
| 27                     | Zip Tie*                   | 1                 |

## CARTON CONTENTS



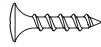
\*Items packaged inside hardware box.

For hardware pack contents, see page 6.

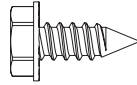
See Parts Lists on page 43 for ordering replacement parts. Do not order batteries, bolts, screws, washers or nuts. They are standard hardware items and can be purchased at any local hardware store.

# HARDWARE PACK

## HARDWARE PACK CONTENTS



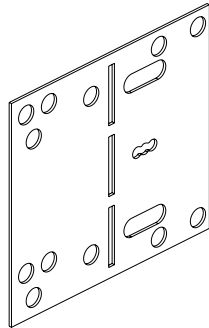
#4 X 3/8" PHILLIPS SCREW



#10 X 1/2" HEX HEAD SCREW



#8 X 1" PHILLIPS SCREW



NAILING FLANGE  
(Not to scale)

| Description                             | Quantity Supplied |
|---|-------------------|
| #4 x 3/8 Phillips Pan Head Screw        | 4                 |
| #10 X 1/2 Phillips Hex Head Screw       | 14                |
| #8 x 1 Inch Self-Drilling Drywall Screw | 9                 |
| Nailing Flange                          | 4                 |

See Parts Lists on page 43 for replacement parts. Do not order batteries, bolts, screws, washers or nuts. They are standard hardware items and available at any local hardware store.

# IMPORTANT SOOT PREVENTION STEPS

## IMPORTANT NOTICE

INSTALLER - SERVICE PERSON - HOMEOWNER

**SOOT MAY BE CREATED IF THE FOLLOWING DIRECTIONS ARE NOT FOLLOWED**

### WARNING

**Failure to keep the primary air openings of the burner clean may result in sooting and property damage.**

### WARNING

**Before installing in a solid-fuel burning fireplace, the chimney flue and firebox must be cleaned of soot, creosote, ashes and loose paint by a qualified chimney cleaner.**

A vent-free fireplace or burner draws room air to support combustion. Lightweight particles suspended in the air – including dust, carpet fibers, candle or tobacco smoke, and pet hair – will be drawn toward the fireplace. These can lead to soot build-up on logs, fireplace walls, and even walls of the room. To prevent malfunctions and sooting, have your dealer inspect and clean each year – before the heating season. If you have pets or excessive dust, more frequent cleaning may be necessary. See cleaning and service section in this manual.

### WARNING

**Do not allow fans to blow directly into or at the fireplace. Avoid any drafts that alter burner flame patterns. Avoid any drafts that alter burner flame patterns. Pay particular attention to ceiling fans and exhaust fans.**

1. Ensure the air shutter is set to the specification. See **Figure 3** and **Tables 1 and 2** on page 8.
2. Ensure burner, venturi, and air shutter are free of dirt, lint, animal hair (i.e. cat and dog) or anything that may block the needed air flow. See cleaning and service in homeowner manual.
3. Do not place debris, additional logs or other articles on the burner during operation.
4. Do not use scented air fresheners or candles while the fireplace is in operation. They produce residue which may cause soot.
6. Do not place glass media on burner or burner ports. The glass media should only be placed as shown in **Figure 56**.
7. Do not use rock wool (embers) or lava rock.
8. Avoid the use of decorative or scented candles while the fireplace is in operation. Soot may be produced from the by-products of a burning candle. Some candles also produce soot.
9. Annual inspection and cleaning by your dealer or a qualified service technician is recommended to prevent malfunction and/or sooting.
10. Install decorative glass accessory according to the instructions on pages 33 and 34.
11. Install optional logs according to the installation instructions. Only use Empire Logs made for this fireplace.
12. Verify the venturi tube is not bent or distorted. The main burner orifice must be centered in the venturi tube to ensure proper combustion and to prevent sooting.

# PRODUCT SPECIFICATIONS

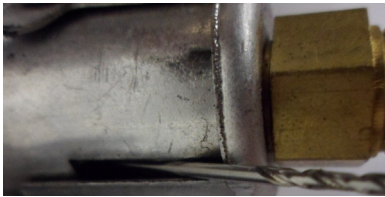
|                      | VFLB60FP90P | VFLB60FP90N | VFLB72FP90P | VFLB72FP90N |
|----------------------|-------------|-------------|-------------|-------------|
| Input BTU/HR maximum | 38,500      | 40,000      | 38,500      | 40,000      |
| Input BTU/HR minimum | 30,000      | 27,000      | 30,000      | 27,000      |
| Orifice              | 1.8mm       | #32         | 1.8mm       | #32         |

**NOTICE:** Air shutter settings are factory set and may not be altered.

| GAS SUPPLY PRESSURES (inches water column) |         |         |          |
|--|---------|---------|----------|
| Gas Type                                   | Maximum | Minimum | Manifold |
| Natural                                    | 10.5    | 7.0     | 3.5      |
| Propane                                    | 13.0    | 11.0    | 10.0     |

| TABLE 1 - AIR SHUTTER OPENING - NATURAL GAS MODELS |                     |
|--|---------------------|
| Model  | Air Shutter Opening |
| VFLB60FP90N  | 1/16 inch           |
| VFLB72FP90N  | 1/16 inch           |

| TABLE 2 - AIR SHUTTER OPENING - PROPANE GAS MODELS |                     |
|--|---------------------|
| Model  | Air Shutter Opening |
| VFLB60FP90P  | 5/16 inch           |
| VFLB72FP90P  | 1/4 inch            |



**Figure 3**

(Measure opening using drill bit.) Set air shutter opening using suitable round object such as a drill bit. The object should barely slide between the opening.



**Add Serial Number Sticker Here**

## HOMEOWNER REFERENCE INFORMATION

We recommend that you record the following information about your fireplace.

Model Number: \_\_\_\_\_

Date purchased: \_\_\_\_\_

Serial Number: \_\_\_\_\_

Location of fireplace: \_\_\_\_\_

Dealer Name: \_\_\_\_\_

Dealer Phone: \_\_\_\_\_

Notes: \_\_\_\_\_



# ACCESSORIES

## REQUIRED ACCESSORIES

| ACCESSORIES FOR VFLB(60,72)FP90(N,P)-1 |        |   |
|--|--------|---|
| PART NUMBER                            |        | DESCRIPTION   |
| VFLB60                                 | VFLB72 |   |
| DG1CLF                                 | DG1CLF | Decorative Glass, Crushed - Clear Frost (One kit per one square foot) Recommended |
| DG1BKP                                 | DG1BKP | Decorative Glass, Crushed - Black Polished (One kit per one square foot)          |
| DG1BUC                                 | DG1BUC | Decorative Glass, Crushed - Blue Clear (One kit per one square foot)              |
| DG1BCR                                 | DG1BCR | Decorative Glass, Crushed - Copper Reflective (One kit per one square foot)       |
| DG1BZR                                 | DG1BZR | Decorative Glass, Crushed - Bronze Reflective (One kit per one square foot)       |

**NOTICE:** Decorative crushed glass is required for installation. Clear Frost is recommended. Decorative Glass Droplets can be mixed with crushed glass, but cannot be substituted for crushed glass. One box of crushed glass covers 1 sq. ft. Glass colors can be mixed, and transparent and translucent crushed glass makes LED lights more visible.

**NOTICE:** Requires five square feet for VFLB60, six square feet for VFLB72.

**NOTICE:** Never place decorative media material on or next to the burner.

## OPTIONAL ACCESSORIES

| ACCESSORIES FOR VFLB(60,72)FP90(N,P)-1 |          |   |
|--|----------|---|
| PART NUMBER                            |          | DESCRIPTION   |
| VFLB60                                 | VFLB72   |   |
| DF601VBL                               | DF721VBL | Decorative Front, Beveled, 3/4 inch, Black                                |
| DF602VBL                               | DF722VBL | Decorative Front, Beveled, 1 1/2 inch, Black                              |
| VBP60LKR                               | VBP72LKR | Liner - Black Reflective Glass  |
| VBP60LSS                               | VBP72LSS | Liner - Stainless Steel   |
| LS60DF                                 | LS72DF   | Log Set   |
| DG1GC                                  | DG1GC    | Decorative Glass Droplets - 1/2 inch Glacier Ice (Used as accent only)    |
| DG1SL                                  | DG1SL    | Decorative Glass Droplets - 1/2 inch Sangria Luster (Used as accent only) |
| DG1NXS                                 | DG1NXS   | Decorative Glass Drops - 1 inch Onyx Solid (Used as accent only)          |
| DRFPA                                  | DRFPA    | Decorative Rock, Ceramic Fiber - Pebble (Used as accent only)             |

**NOTICE:** If installing a decorative front, an offset between the finishing materials and fireplace opening is required. Refer to pages 27 and 31 as well as the installation instructions provided with the decorative front for more information.

# INTRODUCTION

## INSTRUCTIONS TO INSTALLER

1. Leave instruction manual with owner after installation.
2. Have owner register online or fill out and mail the Product Registration Card supplied with the unvented fireplace.
3. Fill out Homeowner Reference Information on page 8.
4. Show homeowner how to start and operate the fireplace.
5. Show homeowner basic maintenance.

Consult the local Building Department regarding regulations, codes or ordinances which apply to the installation of an unvented fireplace.

This fireplace may be installed in an aftermarket\* manufactured (mobile) home, where not prohibited by state or local codes.

\*Aftermarket: Completion of sale, not for purpose of resale, from the manufacturer.

## WELL HEAD GAS INSTALLATIONS

Some natural gas utilities use “well head” gas. This may affect the Btu output of the unit and promote sooting. Units shall not be converted to use well head gas.

This appliance is only for use with the type of gas indicated on the rating plate. This appliance is not convertible for use with other gases.

### WARNING

**Any change to this fireplace or its controls can be dangerous. Improper installation or use of the fireplace can cause serious injury or death from fire, burns, explosion or carbon monoxide poisoning.**

This fireplace is intended for supplemental heating.

Any alteration of the original design, installed other than as shown in these instructions or use with a type of gas not shown on the rating plate is the responsibility of the person and company making the change.

## IMPORTANT

All correspondence should refer to complete Model Number, Serial Number and type of gas. (See page 8.)

### WARNING

**This appliance is equipped for natural or propane gas. Field conversion is not permitted.**

During manufacture, this fireplace is treated with oils, films and bonding agents. These are not harmful but may produce smoke and odor as they burn off during initial operation. This is normal. Open window to vent any smoke or odor.

## INSTALLATION ON RUGS AND TILE

If this fireplace is installed directly on carpeting, tile or other combustible material other than wood flooring the fireplace shall be installed on a metal or wood panel extending the full width and depth of the fireplace.

## QUALIFIED INSTALLING AGENCY

Installation and replacement of gas piping, gas utilization equipment or accessories and repair and servicing of equipment shall be performed only by a qualified agency.

The term qualified agency means any individual, firm, corporation or company which either in person or through a representative is engaged in and is responsible for (a) the installation or replacement of gas piping or (b) the connection, installation, repair or servicing of equipment, who is experienced in such work, familiar with all precautions required and has complied with all the requirements of the authority having jurisdiction.

**Commonwealth of Massachusetts:** The installation must be made by a licensed plumber or gas fitter in the Commonwealth of Massachusetts.

Sellers of unvented propane or natural gas-fired supplemental fireplaces shall provide to each purchaser a copy of 527 CMR 30 upon sale of the unit.

In the Commonwealth of Massachusetts, unvented propane and natural gas-fired space heaters shall be prohibited in bedrooms and bathrooms.

The installation must conform with local codes or, in the absence of local codes, with the National Fuel Gas Code, ANSI Z223.1.\* / NFPA 54.

\*Available from the American National Standards Institute, Inc. 1430 Broadway, New York, N.Y. 10018.

### WARNING

**Failure to keep the primary air opening(s) of the burner(s) clean may result in sooting and property damage.**

## FOR THE INSTALLER

- Installation and repair should be done by a qualified service person. The fireplace should be inspected before use and at least annually by a qualified service person. More frequent cleaning might be required due to excessive lint from carpeting, bedding material, etc. It is imperative that control compartments, burners and circulating air passageways of the fireplace be kept clean. Keep burner and control compartment clean.
- An unvented room fireplace having an input rating of more than 6,000 Btu per hour shall not be installed in a bathroom
- An unvented room fireplace having an input rating of more than 10,000 Btu per hour shall not be installed in a bedroom or bathroom.
- Use Non-Combustible Materials where indicated for the fireplace installation. Non-combustible material do not ignite or burn as a result of using the fireplace. These include metal, brick, ceramic, concrete, slate, glass, and plaster. Adhesives must be rated for high temperatures. Any mechanical fasteners used to install material must also be non-combustible, including wall anchors and tile spacers. Materials that pass the ASTM E 136 test (Standard Test Method for Behavior of Materials in a Vertical Tube Furnace at 750C) are considered non-combustible.
- Install the fireplace out of household traffic and away from furniture and draperies. The high temperatures produced by the fireplace create an ignition risk.

# IMPORTANT SAFETY INFORMATION

## WARNING

When used without adequate combustion and ventilation air, appliance may give off **CARBON MONOXIDE**, an odorless, poisonous gas.

Do not install appliance until all necessary provisions are made for combustion and ventilation air. Consult the written instructions provided with the appliance for information concerning combustion and ventilation air. In the absence of instructions, refer to the National Fuel Gas Code, ANSI Z223.1/NFPA 54, Air for Combustion and Ventilation, or applicable local codes.

This appliance is equipped with a **PILOT LIGHT SAFETY SYSTEM** designed to turn off the appliance if not enough fresh air is available.

The pilot light safety system senses the depletion of oxygen at its location. If this fireplace is installed in a structure having a high vertical dimension, the possibility exists that the oxygen supply at the higher levels will be less than that at the fireplace. In this type of application, a fan to circulate the structure air will minimize this effect. The use of this fan will also improve the comfort level in the structure. When a fan is used to circulate air, it should be located so that the air flow is not directed at the burner.

### **DO NOT TAMPER WITH PILOT LIGHT SAFETY SYSTEM!**

If fireplace shuts off, do not relight until you provide fresh air.

If fireplace keeps shutting off, have it serviced. Keep burner and control compartment clean. See installation and operating instructions.

## WARNING

### **CARBON MONOXIDE POISONING MAY LEAD TO DEATH.**

Early signs of carbon monoxide poisoning resemble the flu, with headache, dizziness and/or nausea. If you have these signs, fireplace may not be working properly. Get fresh air at once! Have fireplace serviced.

Some people — pregnant women, persons with heart or lung disease, anemia, those under the influence of alcohol, those at high altitudes — are more affected by carbon monoxide than others.

## DANGER

The installer is responsible for the verifying the correct position of the air shutter and adjusting it if required. If not adjusted to the proper opening, a fire, explosion, or production of carbon monoxide may result causing property damage, personal injury or loss of life.

## DANGER

The installer of is responsible for testing all connections for gas leaks. A gas leak will create a situation where a fire, explosion, or production of carbon monoxide may result causing property damage, personal injury or loss of life.

## WARNING

Do not use a blower insert, heat exchanger insert or other accessory not approved for use with this heater. The use of accessories not tested and approved for use with this fireplace will create a situation where a fire, explosion, or production of carbon monoxide may result causing property damage, personal injury or loss of life.

## WARNING

This fireplace needs fresh air for ventilation to run properly. Inadequate air supply may create a situation where a fire, explosion, or production of carbon monoxide may result causing property damage, personal injury or loss of life. This fireplace has an ODS (oxygen depletion sensor) which will shut down the fireplace if adequate fresh air is not available. See troubleshooting section in the instructions.

## WARNING

Do not operate this fireplace unless all components including burners and controls are in good working condition. Never operate this fireplace if any optional log or twig is broken. Replacement components are available through your local dealer as indicated in the How to Order Repair Parts section of the fireplace manual. See Page 47.

## WARNING

**"FIRE, EXPLOSION, AND ASPHYXIATION HAZARD**  
Improper adjustment, alteration, service, maintenance or installation of this heater or its controls can cause death or serious injury.

Read and follow instructions and precautions in User's Information Manual provided with this heater."

# SAFETY INFORMATION FOR USERS OF PROPANE GAS

Propane is a flammable gas which can cause fires and explosions. In its natural state, propane is odorless and colorless. You may not know all the following safety precautions which can protect both you and your family from an accident. Read them carefully now, then review them point by point with the members of your household. Someday when there may not be a minute to lose, everyone's safety will depend on knowing exactly what to do. If, after reading the following information, you feel you still need more information, please contact your gas supplier.

## PROPANE GAS WARNING ORDER

**If a gas leak happens, you should be able to smell the gas because of the odorant put in by the gas supplier. That's your signal to go into immediate action!**

- Do not operate electric switches, light matches, or use your phone. Do not do anything that could ignite the gas.
- Get everyone out of the building, vehicle, trailer, or area. Do that IMMEDIATELY.
- Close all gas tank or cylinder supply valves.
- Propane Gas is heavier than air and may settle in low areas such as basements. When you have reason to suspect a gas leak, keep out of basements and other low areas. Stay out until firefighters declare them to be safe.
- Use your neighbor's phone and call a trained Propane Gas service person and the fire department. Even though you may not continue to smell gas, do not turn on the gas again. Do not re-enter the building, vehicle, trailer, or area.
- Finally, let the service man and firefighters check for escaped gas. Have them air out the area before you return. Properly trained Propane Gas service people should repair the leak, then check and relight the gas fireplace for you.

## NO ODOR DETECTED - ODOR FADE

Some people cannot smell well. Some people cannot smell the chemical put into the gas. You must find out if you can smell the odorant in propane. Smoking can decrease your ability to smell. Being around an odor for a time can affect your sensitivity or ability to detect that odor. Sometimes other odors in the area mask the gas odor. People may not smell the gas odor or their minds are on something else. Thinking about smelling a gas odor can make it easier to smell.

The odorant in Propane Gas is colorless, and it can fade under some circumstances. For example, if there is an underground leak, the movement of the gas through soil can filter the odorant. The odorant is subject to oxidation. Fading can occur if there is rust inside the storage tank or in iron gas pipes.

The odorant in escaped gas can adsorb or absorb onto or into walls, masonry and other materials and fabrics in a room. That will take some of the odorant out of the gas, reducing its odor intensity.

Propane Gas may stratify in a closed area, and the odor intensity could vary at different levels. Since it is heavier than air, there may be more odor at lower levels. Always be sensitive to the slightest gas odor. If you detect any odor, treat it as a serious leak. Immediately go into action as instructed earlier.

## SOME POINTS TO REMEMBER

- Learn to recognize the odor of Propane Gas. Your local Propane Gas Dealer can give you a Scratch and Sniff pamphlet. Use it to find out what the propane odor smells like. If you suspect that your Propane Gas has a weak or abnormal odor, call your Propane Gas Dealer.
- If you are not qualified, do not light pilot lights, perform service, or make adjustments to fireplaces on the Propane Gas system. If you are qualified, consciously think about the odor of Propane Gas prior to and while lighting pilot lights or performing service or making adjustments.
- Sometimes a basement or a closed-up house has a musty smell that can cover up the Propane Gas odor. Do not try to light pilot lights, perform service, or make adjustments in an area where the conditions are such that you may not detect the odor if there has been a leak of Propane Gas.
- Odor fade, due to oxidation by rust or adsorption on walls of new cylinders and tanks, is possible. Therefore, people should be particularly alert and careful when new tanks or cylinders are placed in service. Odor fade can occur in new tanks, or reinstalled old tanks, if they are filled and allowed to set too long before refilling. Cylinders and tanks which have been out of service for a time may develop internal rust which will cause odor fade. If such conditions are suspected to exist, a periodic sniff test of the gas is advisable. If you have any question about the gas odor, call your Propane Gas Dealer. A periodic sniff test of the Propane Gas is a good safety measure under any condition.
- If, at any time, you do not smell the Propane Gas odorant and you think you should, assume you have a leak. Then take the same immediate action recommended above for the occasion when you do detect the odorized Propane Gas.
- If you experience a complete gas out, (the container is under no vapor pressure), turn the tank valve off immediately. If the container valve is left on, the container may draw in some air through openings such as pilot light orifices. If this occurs, some new internal rusting could occur. If the valve is left open, then treat the container as a new tank. Always be sure your container is under vapor pressure by turning it off at the container before it goes completely empty or having it refilled before it is completely empty.

# IMPORTANT INSTALLATION GUIDELINES

## PROPER PRIMARY AIRFLOW INTO BURNER

For proper burner operation and flame appearance, the flow of primary air into the venturi tube, located at the gas inlet of the burner, must not be reduced. This flow of air is reduced if dirt, lint or other obstructions build-up around or inside the venturi. Any obstruction in the venturi tube area must be removed. The flow of air into the venturi is also reduced if the gas orifice isn't centered in the venturi inlet and/or is not aligned with the venturi. Any misalignment of the burner orifice may be corrected by bending the shutter cap holding the orifice to the inlet of the venturi tube.

## CEILING FANS, PORTABLE FANS OR LOGS INSTALLED NEAR COLD AIR RETURNS

Ceiling fans or oscillating floor type fans need to be monitored during the operation of a vent-free fireplace. If the air blows directly into the flame causing it to disrupt the flame, it should be turned off or redirected. Ceiling fans could be reversed to possibly eliminate flame impingement, and the floor fan should be redirected. Upon installation, be aware of any cold air returns or vents in the proximity of the fireplace. Any draft created around a vent-free fireplace can cause the flame to impinge on the logs or decorative media and create a sooting situation.

## TELEVISION CONSIDERATIONS

Installing a television above a fireplace has become increasingly popular; however, the area above any fireplace gets hot and most TV manufacturers recommend against placing their products near a heat source.

If a television is installed above this fireplace, Empire Comfort Systems accepts no responsibility for damage or injuries. Follow the television manufacturer's installation instructions, including any recommendations regarding proximity to heat sources. If a TV is installed above the fireplace, turn off the fireplace and let it cool completely before servicing or touching any buttons on the TV.

## NOTICE FOR FINISHING MATERIALS

Due to the variable properties of natural stone, the material may have stress points that are unpredictable when installed above or around the fireplace. These stress points may result in cracking of the finish materials. Empire Comfort Systems is not responsible for the finishing materials used with our fireplaces.

# WATER VAPOR: A BY-PRODUCT OF UNVENTED ROOM HEATERS

Water vapor is a by-product of gas combustion. An unvented room heater produces approximately one ounce (30ml) of water for every 1,000 BTU (.3KW's) of gas input per hour.

Unvented room heaters are recommended as supplemental heat (a room) rather than a primary heat source (an entire house). In most supplemental heat applications, the water vapor does not create a problem, but helps correct the low humidity atmosphere experienced during cold weather.

The following steps will help ensure that water vapor does not become a problem.

1. Be sure the heater is sized properly for the application, including ample combustion air and circulation air.
2. If high humidity is experienced, a dehumidifier will help lower the water vapor content of the air.
3. Do not use an unvented room heater as the primary heat source.

# PROVISIONS FOR ADEQUATE COMBUSTION AND VENTILATION AIR

This heater shall not be installed in a confined space unless provisions are provided for adequate combustion and ventilation air.

The National Fuel Gas Code defines a confined space as a space whose volume is less than 50 cubic feet per 1,000 Btu per hour (4.8 m<sup>3</sup> per kw) of the aggregate input rating of all appliances installed in that space and an unconfined space as a space whose volume is not less than 50 cubic feet per 1,000 Btu per hour (4.8 m<sup>3</sup> per kw) of the aggregate input rating of all appliances installed in that space. Rooms communicating directly with the space in which the appliances are installed, through openings not furnished with doors, are considered a part of the unconfined space.

## UNUSUALLY TIGHT CONSTRUCTION

The air that leaks around doors and windows may provide enough fresh air for combustion and ventilation. However, in buildings of unusually tight construction, additional fresh air must be provided.

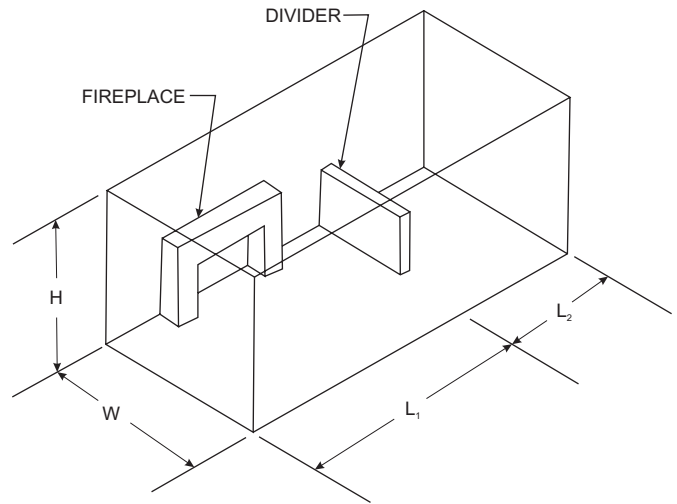
**Unusually tight construction is defined as construction where:**

1. Walls and ceilings exposed to the outside atmosphere have a continuous water vapor retarder with a rating of one perm or less with any openings gasketed or sealed, and
2. Weatherstripping has been added on openable windows and doors, and
3. Caulking or sealants are applied to areas such as joints around window and door frames, between sole plates and floors, between wall-ceiling joints, between wall panels, at penetrations for plumbing, electrical, and gas lines, and at other openings.

If the home meets all three criteria above, additional fresh air must be provided.

### WARNING

**If the area in which the heater may be operated is smaller than that defined as an unconfined space or if the building is of unusually tight construction, provide adequate combustion and ventilation air by one of the methods described in the *National Fuel Gas Code, ANSI Z223.1/NFPA 54, Air for Combustion and Ventilation*, or applicable local codes.**



Example of Large Room with 1/2 Wall divider.

**Figure 4**

The following formula can be used to determine the maximum heater rating per the definition of unconfined space:

$$\text{Btu/Hr} = \frac{(L_1 + L_2)\text{FT} \times (W)\text{FT} \times (H)\text{FT}}{50} \times 1000$$

If the area in which the heater may be operated is smaller than that defined as an unconfined space, provide adequate combustion and ventilation air by one of the methods described in the National Fuel Gas Code, ANSI Z223.1, NFPA54.

Adhere to all codes, or in their absence, the latest edition of THE NATIONAL FUEL GAS CODE ANSI Z223.1/NFPA54 which can be obtained from:

American National Standards Institute National Fire Protection Association, Inc.

11 West 42nd St.  
New York, NY 10018

Batterymarch Park  
Quincy, MA 02269

# PROVISIONS FOR ADEQUATE COMBUSTION AND VENTILATION AIR

If the area in which the heater will be operated is smaller than that defined as an unconfined space, provide adequate combustion and ventilation air by one of the following methods:

1. Add the space of an adjoining room, and rework the equation. If doing so creates an unconfined space, remove door to adjoining room or add ventilation grills between rooms. See **Ventilation Air From Inside Building**.
2. Vent room directly to the outdoors. See **Ventilation Air From Outdoors**.
3. Install a lower Btu per hour heater, if lower Btu per hour size makes room unconfined.

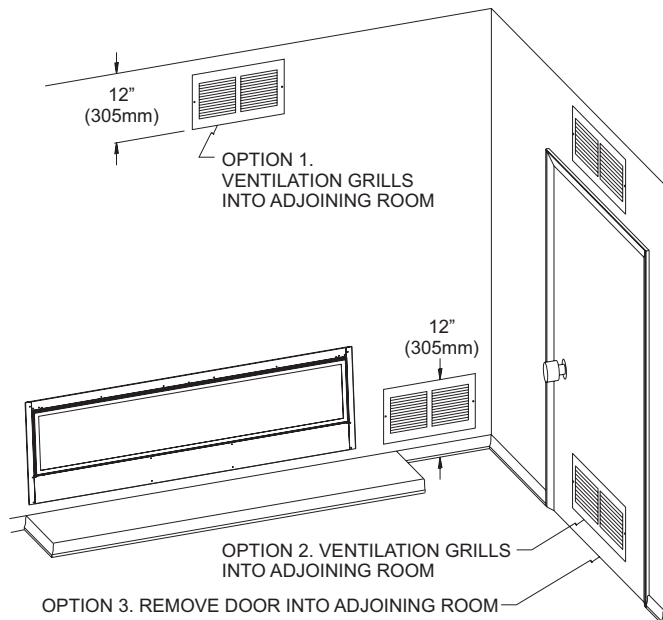
If the actual Btu per hour used is less than the maximum Btu per hour the space can support, the space is an unconfined space. No additional fresh air ventilation is needed.

## ⚠ WARNING

**Additional ventilation air must be provided in a confined space.**

### VENTILATION AIR FROM INSIDE BUILDING

This fresh air would come from an adjoining unconfined space. When ventilating to an adjoining unconfined space, two permanent openings must be provided; one within 12" of the ceiling and one within 12" of the floor on the wall connecting the two spaces. See **Options 1 and 2, Figure 5**. Door(s) into an adjoining room may also be removed. See **Option 3, Figure 5**. Each ventilation grill or opening shall have a minimum free area of one square inch per 1,000 BTUH of the total input rating of the gas equipment in the confined space, but totaling no less than 100in<sup>2</sup>.



**Figure 5**

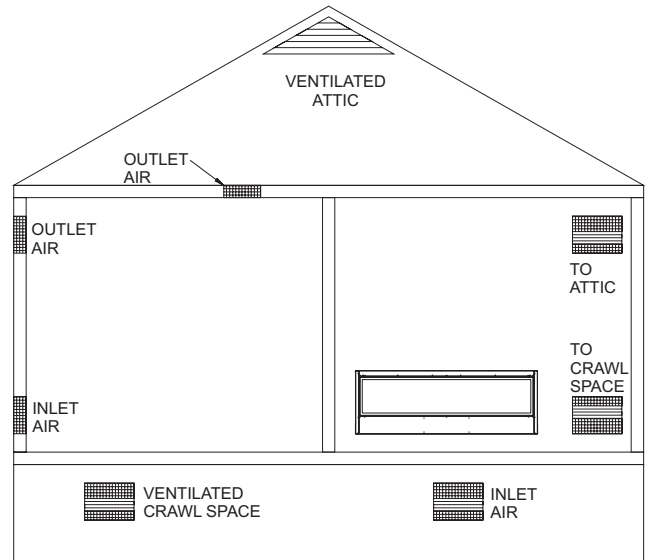
## ⚠ WARNING

**When adding adjoining spaces, the combined spaces must have enough fresh air to supply all appliances in both spaces.**

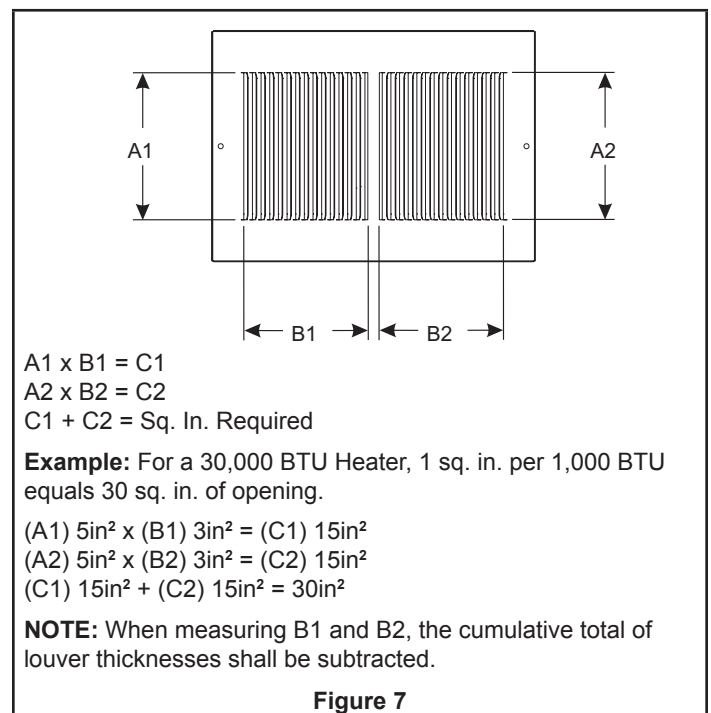
### VENTILATION AIR FROM OUTDOORS

Provide extra fresh air by using ventilation grills or ducts. Two permanent openings must be provided; one within 12" of the ceiling and one with 12" of the floor. Connect these items directly to the outdoors or spaces open to the outdoors. These spaces include attics and crawl spaces. For direct communication with the outdoors through a vertical duct, each grill shall have a free area opening of one square inch per 4,000 BTU/Hr of heater input rating. If a horizontal duct is used, each grill opening shall have a free area of one square inch per 2,000 BTU/Hr. Follow the *National Fuel Code ANSI Z223.1/NFPA54, Air for Combustion and Ventilation* for required size of ventilation grills or ducts.

**IMPORTANT:** Do not provide openings for inlet or outlet air into attic if attic has a thermostat-controlled power vent. Heated air entering the attic will activate the power vent.

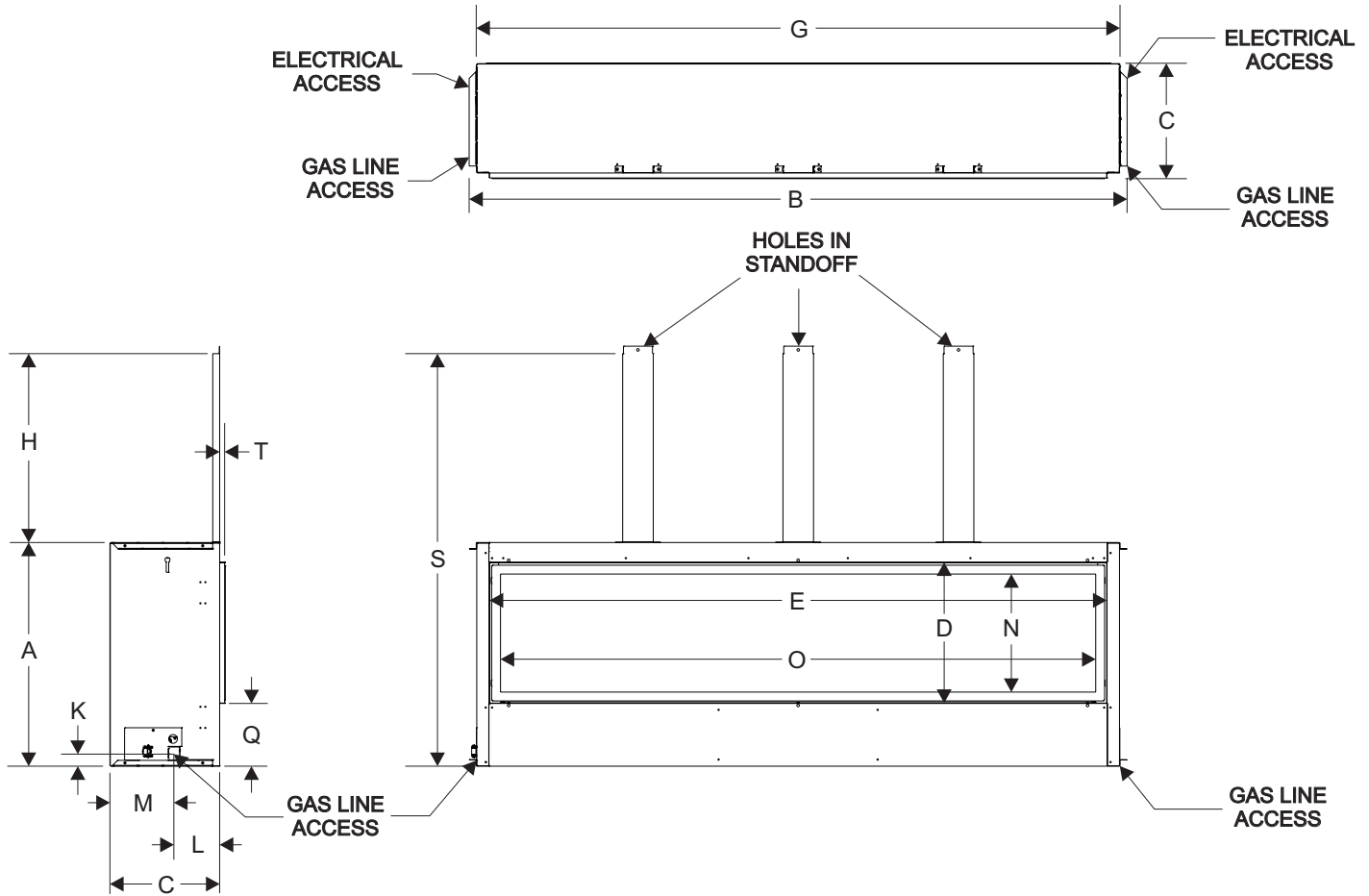


**Figure 6**



**Figure 7**

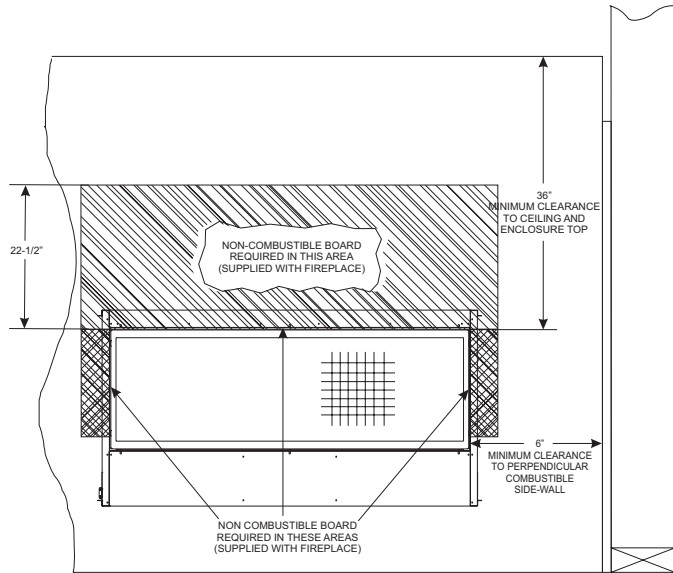
# FIREPLACE DIMENSIONS



| INDEX LETTER | DIMENSION DESCRIPTION   | VFLB60FP         | VFLB72FP |
|--------------|---|------------------|----------|
|              |   | DIMENSION INCHES |          |
| A            | The Maximum Height Of Firebox Face (Excluding Standoffs)          | 22-1/2           | 22-1/2   |
| B            | The Maximum Width Of The Firebox Face (Excluding Nailing Flanges) | 66-3/16          | 78-3/16  |
| C            | The Maximum Depth Of The Firebox                                  | 11-1/16          | 11-1/16  |
| D            | The Height Of The Firebox Opening                                 | 14-1/8           | 14-1/8   |
| E            | The Width Of The Firebox Opening                                  | 62-1/16          | 74-1/16  |
| F            | The Interior Depth Of The Firebox (Not Shown)                     | 9-7/8            | 9-7/8    |
| G            | The Rear Exterior Width Of The Firebox                            | 64-3/4           | 76-3/4   |
| H            | The Height To The Firebox Standoffs                               | 19               | 19       |
| K            | Height From The Bottom Of The Firebox To The Gas Line Opening     | 1-1/4            | 1-1/4    |
| L            | Depth From The Front Of The Firebox To Gas Line Opening           | 4-9/16           | 4-9/16   |
| M            | Depth From Rear Of Firebox To Gas Line Opening                    | 6-7/16           | 6-7/16   |
| N            | Screen Barrier Opening Height                                     | 11-7/8           | 11-7/8   |
| O            | Screen Barrier Opening Width                                      | 59-7/8           | 71-7/8   |
| Q            | Distance From Fireplace Bottom To Fireplace Opening               | 6-3/8            | 6-3/8    |
| S            | Overall Height To Header  | 41-1/2           | 41-1/2   |
| T            | Opening Lip   | 1/2              | 1/2      |



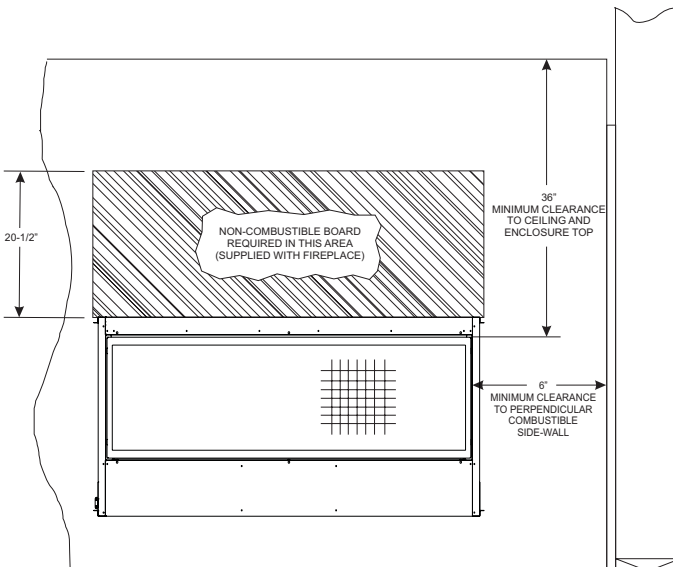
# CLEARANCES



**NOTICE:** Combustible material is allowed below a fireplace viewing area opening and outside the non-combustible board.

**NOTICE:** If installing a decorative front, an offset between the finishing materials and fireplace opening is required. Refer to page 27 for more information.

**Figure 8 - Finishing Option 1**



**NOTICE:** Combustible material is allowed outside of the non-combustible board and outside of the fireplace boundaries.

**NOTICE:** Non-combustible material provided with the fireplace is larger than required for this installation. Material may be trimmed to the proper size. Wear eye and breathing protection when cutting non-combustible board.

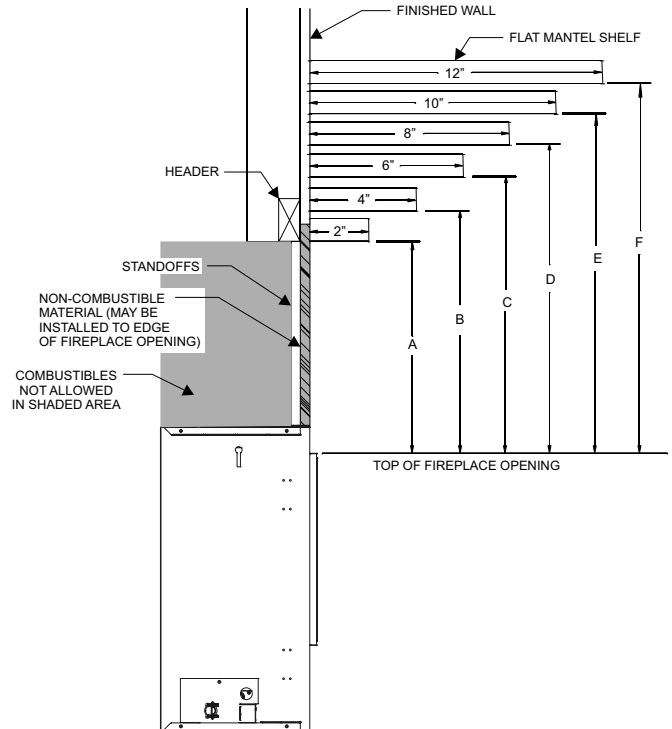
**NOTICE:** If installing a decorative front, an offset between the finishing materials and fireplace opening is required. Refer to page 31 for more information.

**Figure 9 - Finishing Option 2**

## WARNING

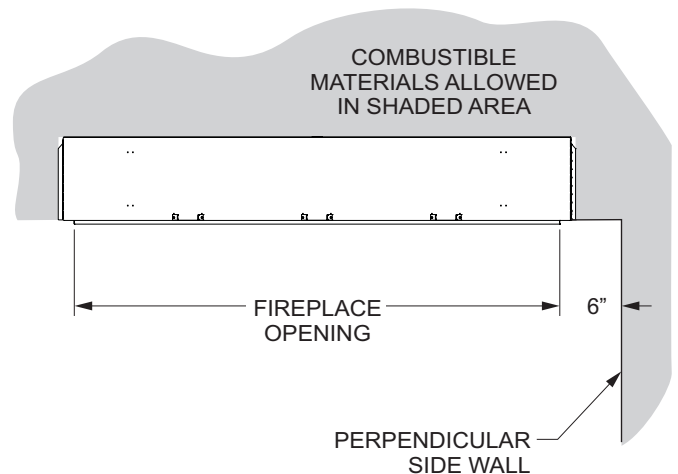
Do not put screws through large non-combustible board and into the fireplace. Attach screws only in standoffs.

## MANTEL CLEARANCES



| MODEL      | Dimensions in Inches |    |    |    |    |    |
|------------|----------------------|----|----|----|----|----|
|            | A                    | B  | C  | D  | E  | F  |
| VFLB60FP90 | 18                   | 20 | 22 | 24 | 26 | 28 |
| VFLB72FP90 | 18                   | 20 | 22 | 24 | 26 | 28 |

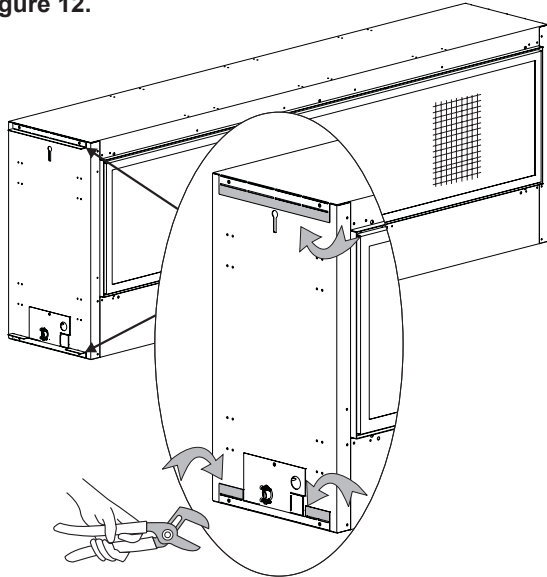
**Figure 10**



**Figure 11**

# ADDING NAILING FLANGES AND STANDOFF BRACKETS

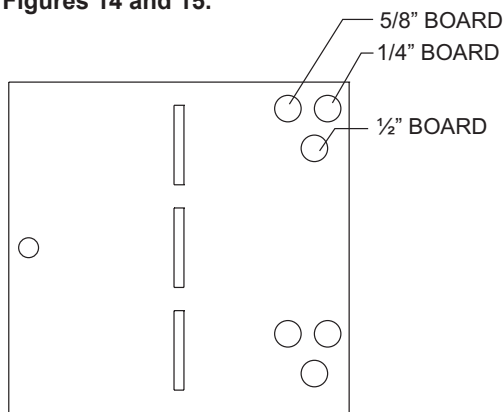
1. At the top and bottom of the fireplace, use pliers to bend each side standoff 90 degrees away from the cabinet. See **Figure 12**.



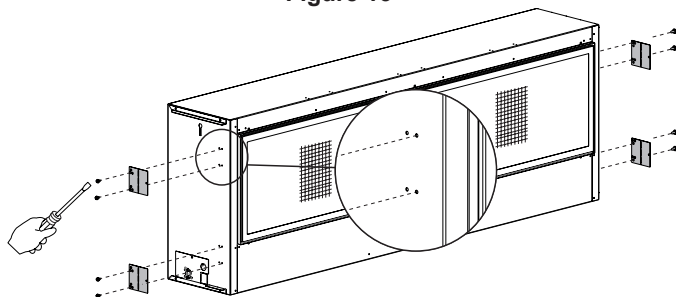
**Figure 12**

**NOTICE:** The nailing flanges and standoff brackets that are supplied with the fireplace must be used. Locate the nailing flanges and standoff brackets that are shipped inside the hardware box behind the fireplace.

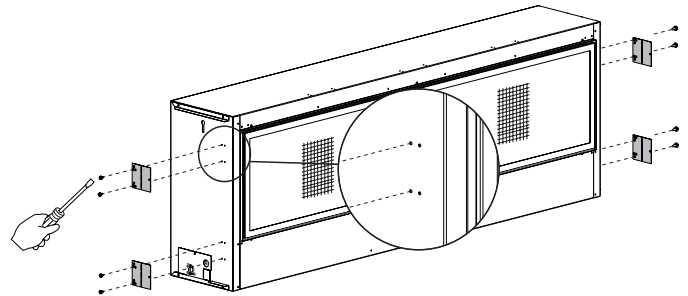
2. The holes in the nailing flanges allow for different thickness boards and depths of wall boards. See **Figure 13**. Install nailing flanges with two 10 x 1/2" screws (each) in pair of holes closer to the face of the fireplace. Leave the nailing flanges flat until after the fireplace is lifted into the framing. See **Figures 14 and 15**.



**Figure 13**



**Figure 14 - OPTION 1**

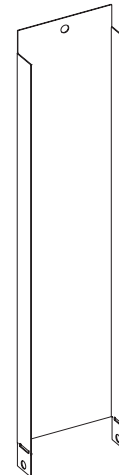


**Figure 15 - OPTION 2**

**⚠ WARNING**

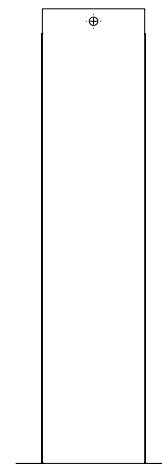
**TWO MAN LIFT RULE!**

3. Repeat on opposite side.
4. Insert fireplace into enclosure.
5. Level fireplace.
6. Bend nailing flanges over side frames and attach.
7. Locate the steel standoff brackets inside the hardware box. See **Figure 16**.



**Figure 16**

8. The brackets have a perforation at the bottom of each side. Bend them at the perforation. See **Figure 17**.



**Figure 17**

# ADDING NAILING FLANGES AND STANDOFF BRACKETS

9a. **OPTION 1** - Secure the brackets to the fireplace top with screws. There are holes located in the top of the fireplace for each standoff bracket. The holes closer to the front edge of the fireplace are for mounting non-combustible board around the opening. **Finishing OPTION 1. See Figure 18.**

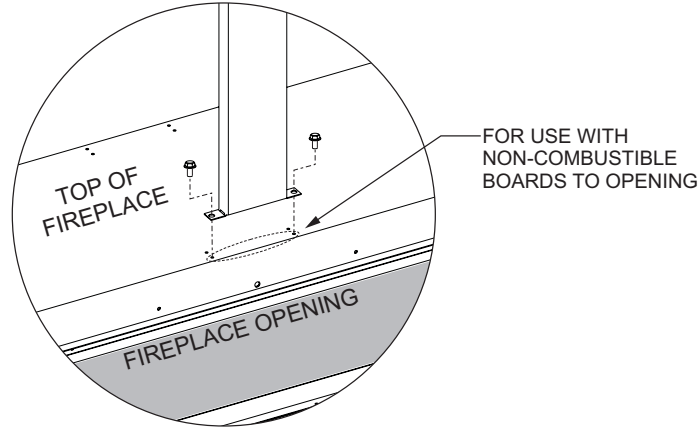


Figure 18 - OPTION 1

9b. **OPTION 2** - Secure the brackets to the fireplace top with screws. There are holes located in the top of the fireplace for each standoff bracket. The holes back further from the front edge of the fireplace are for mounting non-combustible board to the top of the fireplace so that tile or stone can cover the face. **Finishing OPTION 2. See Figure 19.**

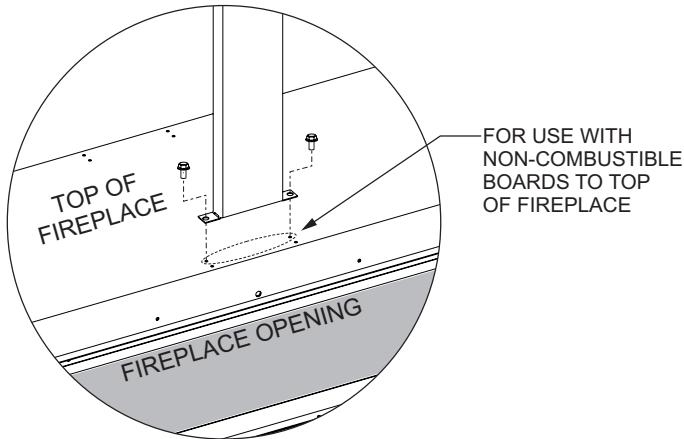


Figure 19 - OPTION 2

10a. **OPTION 1** - Secure standoff brackets with drywall screws to the framed opening above the fireplace as shown in **Figure 20.**

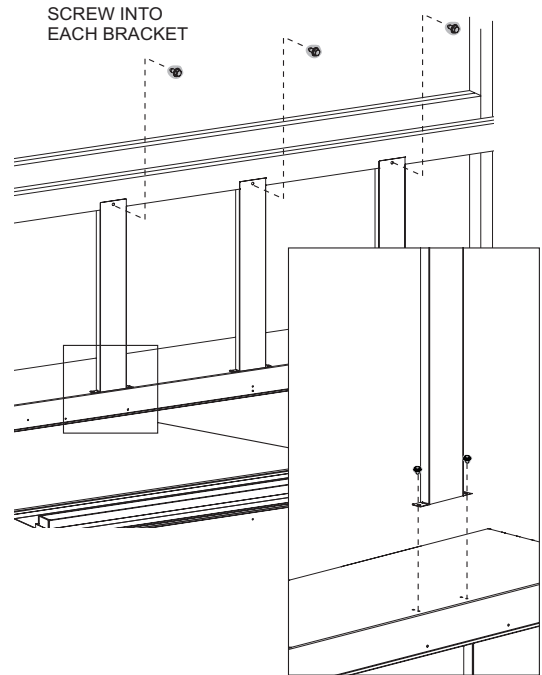


Figure 20 - OPTION 1

10b. **OPTION 2** - Secure standoff brackets with drywall screws to the framed opening above the fireplace as shown in **Figure 21.**

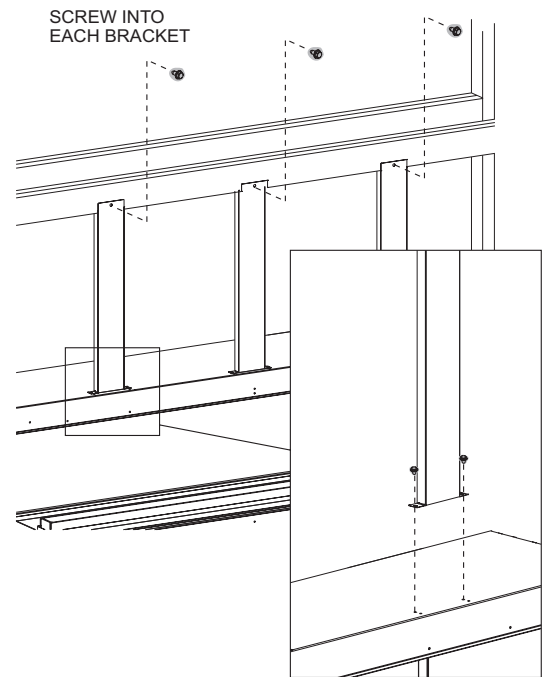


Figure 21 - OPTION 2

# UTILITY INSTALLATION

Remove barrier screen assembly from fireplace by lifting up slightly and pulling out. Set aside. Remove the burner cover by lifting it up and out. Set aside.

Bring the gas supply through the left or right side of the fireplace to connect to the burner. **See Figures 22 and 23.** Consult the current National Fuel Gas Code, ANSI Z223.1 CAN/CGA-B149 (.1 or .2) installation code.

## ⚠ CAUTION

**Never use plastic pipe. Check to confirm whether the local codes allow copper or galvanized tubing.**

**NOTICE:** Since some municipalities have additional local codes, it is always best to consult the local authority and installation code.

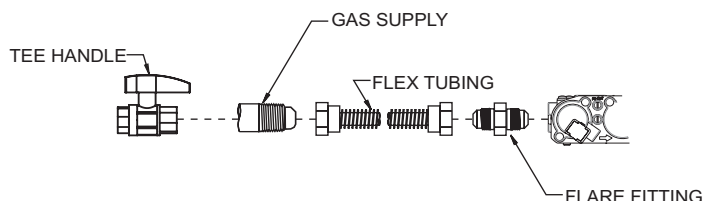
The use of the following gas connectors is recommended:

- ANSI Z21.24 Fireplace Connectors of Corrugated Metal Tubing and Fittings.
- ANSI Z21.45 Assembled Flexible Fireplace Connectors of Other Than All-Metal Construction

The connectors specified by the National Fuel Gas Code may be used if acceptable by the authority having jurisdiction.

The Commonwealth of Massachusetts requires that a flexible fireplace connector cannot exceed three feet in length.

## FLEXIBLE GAS LINE CONNECTION



**Figure 22**

## **INSTALLING THE MAIN GAS SHUT-OFF VALVE**

Each fireplace should have its own manual gas shut-off valve. Locate the manual main gas shut-off valve in the vicinity of the fireplace easily accessible after assembly. Contact the local authorized installer for installation or relocation when no shut-off exists or the location is not adequate.

Compounds used on threaded joints of gas piping are resistant to the action of liquefied petroleum gases. Gas lines must be checked for leaks by the installer. A leak testing solution or soap should be used for testing leaks on all exposed connections. After testing is complete, all solutions should be cleaned off. On unexposed connections, a pressure test should be made.

Never use an exposed flame to check for leaks. Fireplace must be disconnected from piping at inlet of control valve and pipe capped or plugged for pressure test. Never pressure test with fireplace connected; control valve will sustain damage.

When using copper or flex connector use only approved fittings. The fireplace and its individual shut-off valve must be disconnected from supply piping system during any pressure testing of that system at test pressures in excess of 1/2 psig (3.5kPa). The fireplace must be isolated from the gas supply piping system by closing its individual manual shut-off valve during any pressure testing of the gas supply piping system at test pressures equal to or less than 1/2 psig (3.5kPa).

## **TESTING GAS SUPPLY PRESSURE**

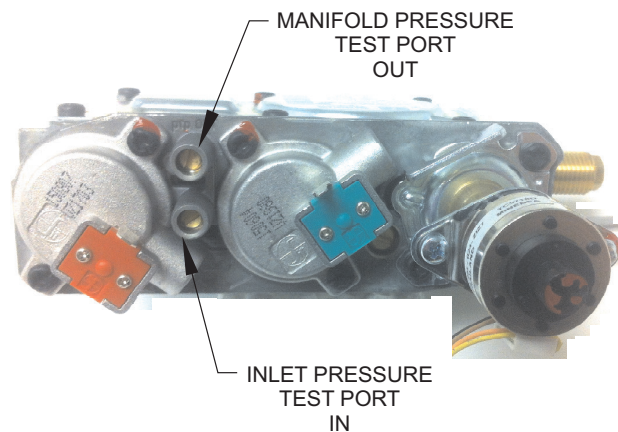
**NOTICE:** The gas controls are equipped with a captured screw-type pressure test point. It is not necessary to provide a 1/8-inch test point up stream of the control. Bleed gas line before testing gas pressure. Check for leaks.

Natural Gas will have a manifold pressure of approximately 3.5 inches w.c. at the pressure regulator outlet with the inlet pressure to the pressure regulator from a minimum of 7.0 inches w.c. for the purpose of input adjustment to a maximum of 10.5 inches w.c.

Propane Gas will have a manifold pressure approximately 10.0 inches w.c. at the pressure regulator outlet with the inlet pressure to the pressure regulator from a minimum of 11.0 inches w.c. for the purpose of input adjustment to a maximum of 13.0 inches w.c.

A test gage connection is located on the gas valve for measuring gas pressure. The connections are two contained screws inside the tapered hose slip connections.

| GAS PRESSURE (Inches Water Column) |         |         |          |
|------------------------------------|---------|---------|----------|
| Gas Type                           | Maximum | Minimum | Manifold |
| Natural                            | 10.5    | 7.0     | 3.5      |
| Propane                            | 13.0    | 11.0    | 10.0     |

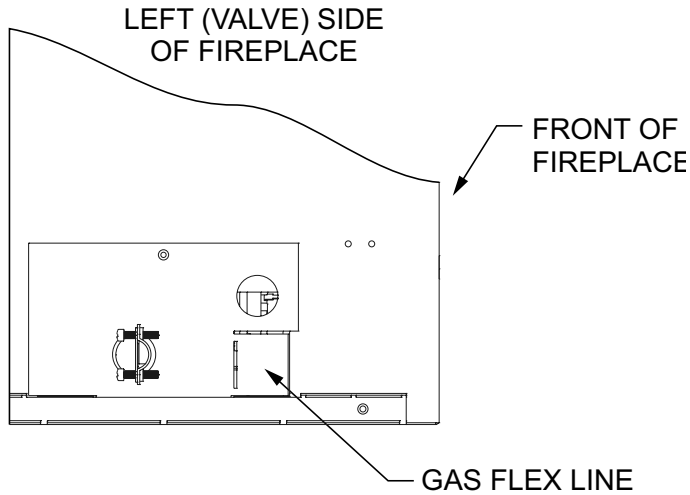


**Figure 23**

## ⚠ WARNING

**If one of the procedures results in pressures in excess of 1/2 psig (14 inches w.c.) (3.5 kPa) on the fireplace gas valve, it will result in a hazardous condition.**

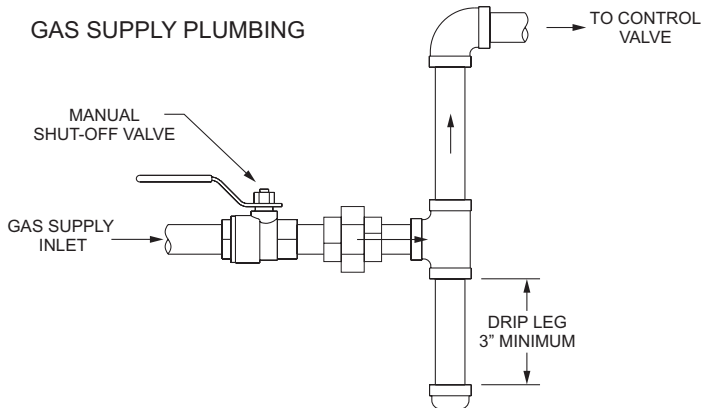
# UTILITY INSTALLATION (CONT'D)



**Figure 24**

Shut-off valve must be accessible after installation.

A gas valve and ground joint union should be installed in the gas line upstream of the gas control to aid in servicing. The National Fuel Gas Code requires that a drip leg be installed near the gas inlet. **See Figure 25.** This should consist of a vertical length of pipe tee connected into the gas line that is capped on the bottom in which condensation and foreign particles may collect.



**Figure 25**

Empire recommends using a flange and key shut-off valve.

# UTILITY INSTALLATION (CONT'D)

## JUNCTION BOX WIRING INSTALLATION

A factory-installed junction box is located at the lower left corner inside the firebox. For 120V electrical requirements install the electrical receptacles into the junction box.

1. Remove the reflective burner cover by lifting straight up and then forward.
2. Remove burner box from fireplace. **See Figures 26 and 27.**

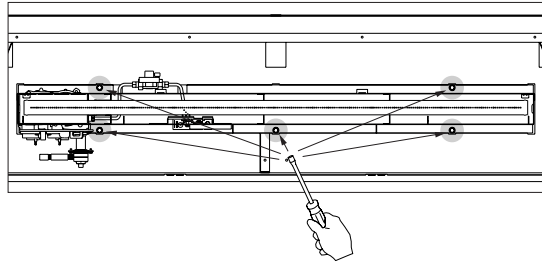


Figure 26

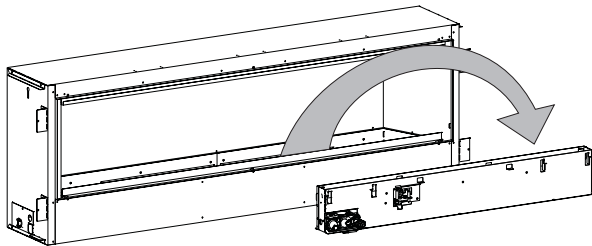


Figure 27

All wiring must be done by a qualified electrician and shall be in compliance with all local, city and state building codes. Before making the electrical connection, make sure the main power supply is disconnected. The fireplace, when installed, must be electrically grounded in accordance with local codes or, in the absence of local codes, with the National Electrical Code ANSI/NFPA 70 (latest edition).

### JUNCTION BOX CONNECTIONS

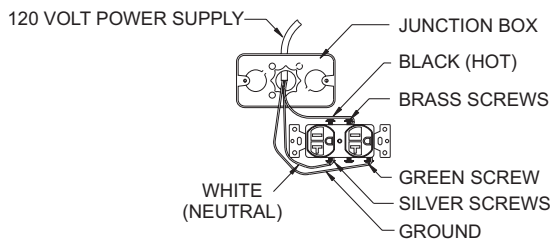


Figure 28

3. Remove the electrical access cover panel from the left end of the fireplace. **See Figure 29.**

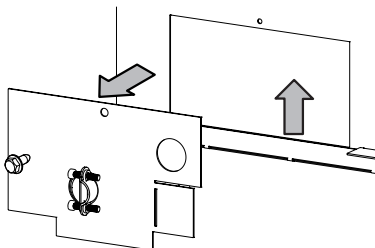


Figure 29

4. Run 14/2 Nm-B with ground or 12/2 Nm-B with ground wire through the electrical access panel into the Junction box. Attach the black wire to the receptacle, and the white wires to the receptacle as shown in **Figure 28**. Secure the incoming ground wire and green receptacle ground wires under the green ground screw provided in the junction box.
5. Attach receptacle to junction box with screws provided. **See Figure 30.**

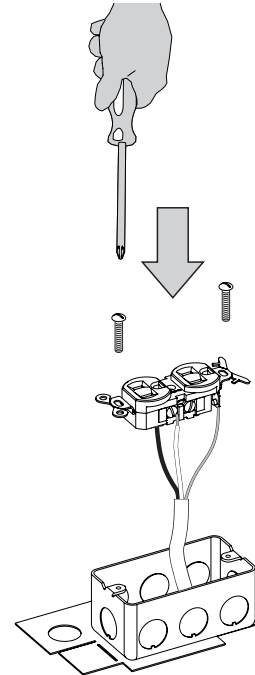


Figure 30

6. Re-install the junction box into the firebox using the screw removed in step 3. **See Figure 29.**
7. Install the Junction box cover. **See Figure 31.**

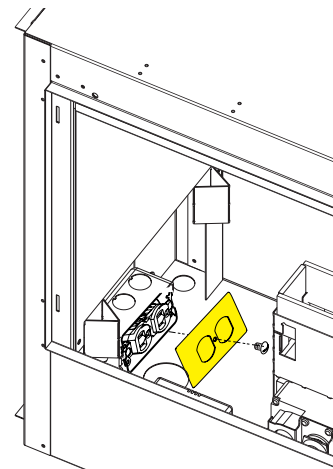


Figure 31

8. Connect flex line in burner box to inlet gas line.
9. Re-install burner box with screws removed earlier.
10. Check gas lines for leaks.
11. Plug AC adapter and LED transformer into junction box.

# UTILITY INSTALLATION (CONT'D)

12. Install the wall-mounted control box within 6 feet to the left side or 4 feet from the right. See Figure 32.

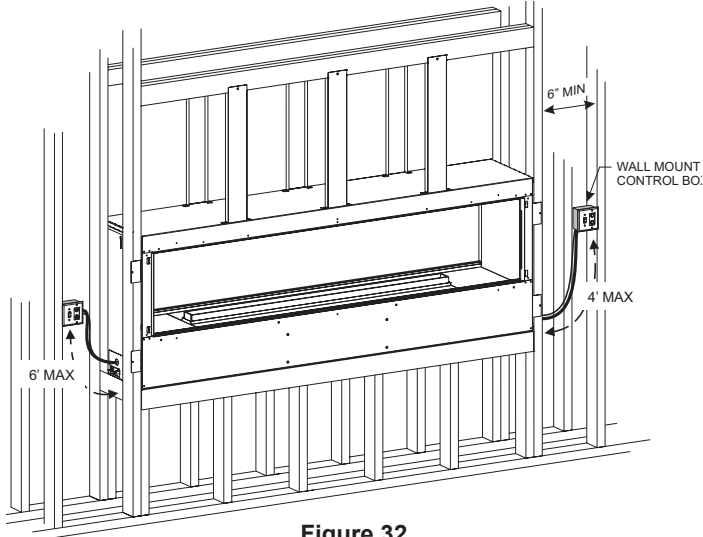


Figure 32

13. Install the provided plastic bushing in the opening where the wires exit the fireplace. See Figure 33 (left side), or Figure 34 (right side).

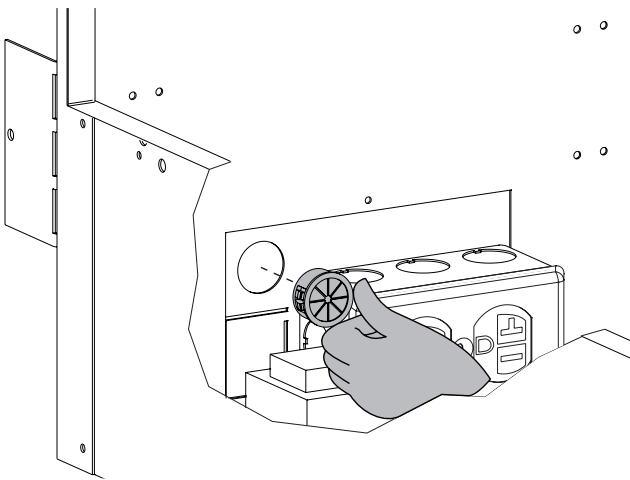


Figure 33

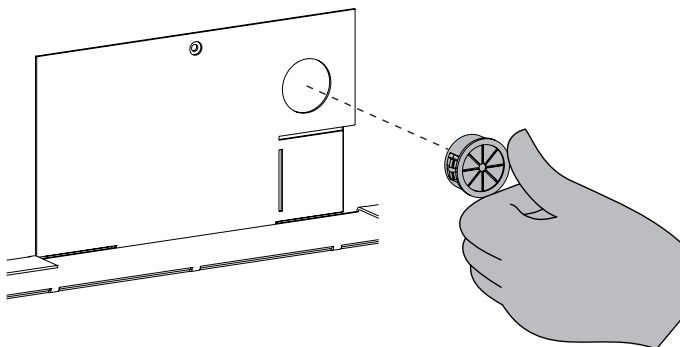


Figure 34

14. Route the yellow LED wire harness with gray remote receiver harness through the bushing. Mount the controls and connect the wiring. Secure wiring with provided zip tie as shown. See Figure 35.

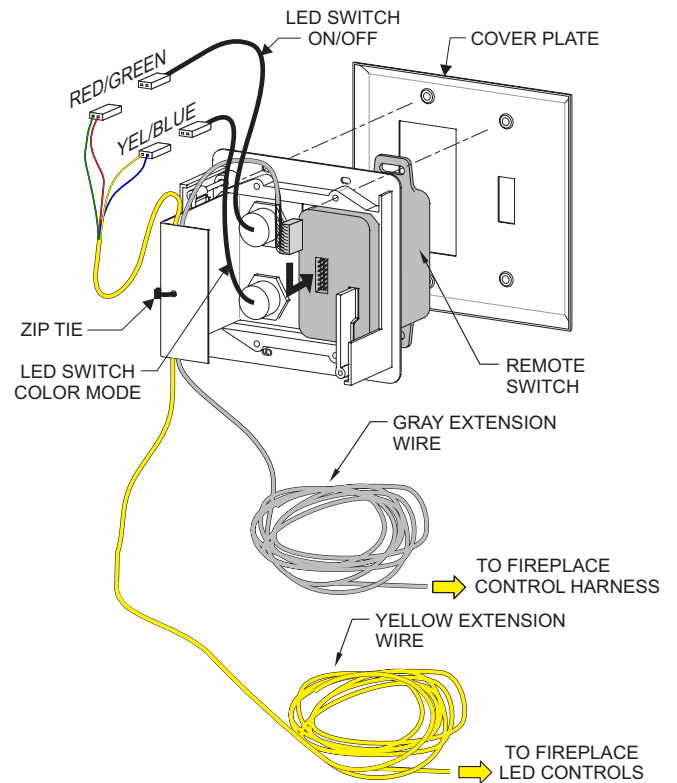


Figure 35

15. Place batteries in remote receiver and in the remote control using instructions provided. Place the switch slider to the remote switch.
16. Set the remote switch in wall box to remote. (center position) See Figure 36.

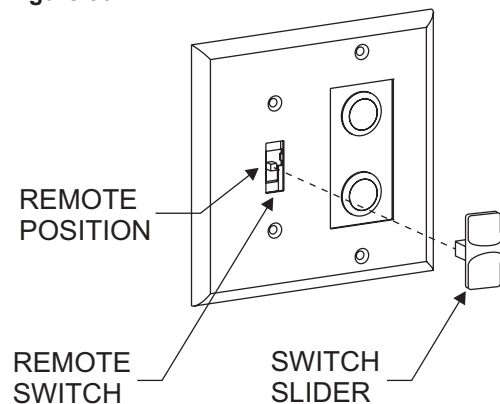
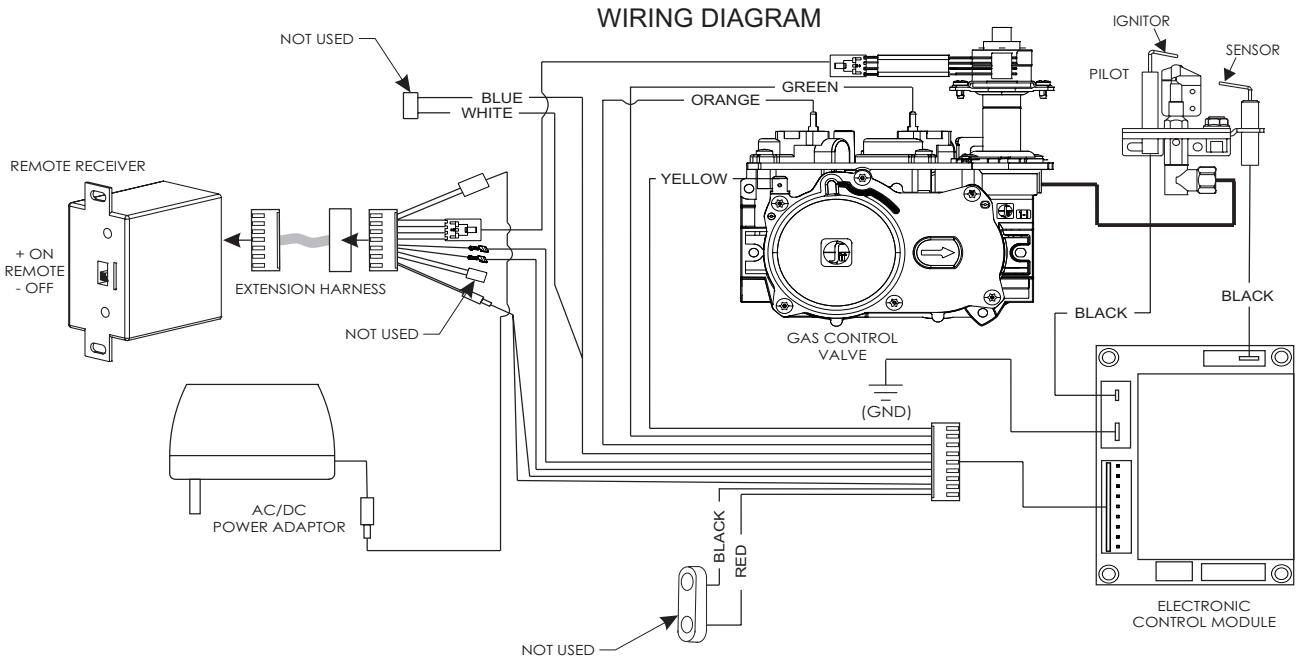


Figure 36

17. Verify remote is communicating with receiver. See Proflame control system page 37.
18. Test LEDs.
19. Test burner for ignition. See lighting instructions on page 35.

**ATTENTION:** Test all components prior to sealing and finishing unit in the wall.

# UTILITY INSTALLATION (CONT'D)



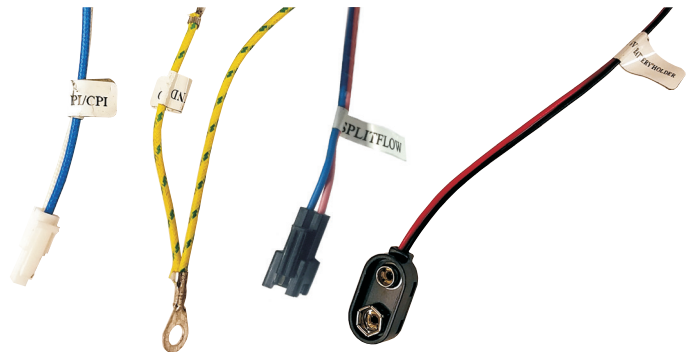
Replace any damaged wiring with original wiring supplied by Empire Comfort Systems.

**CAUTION**

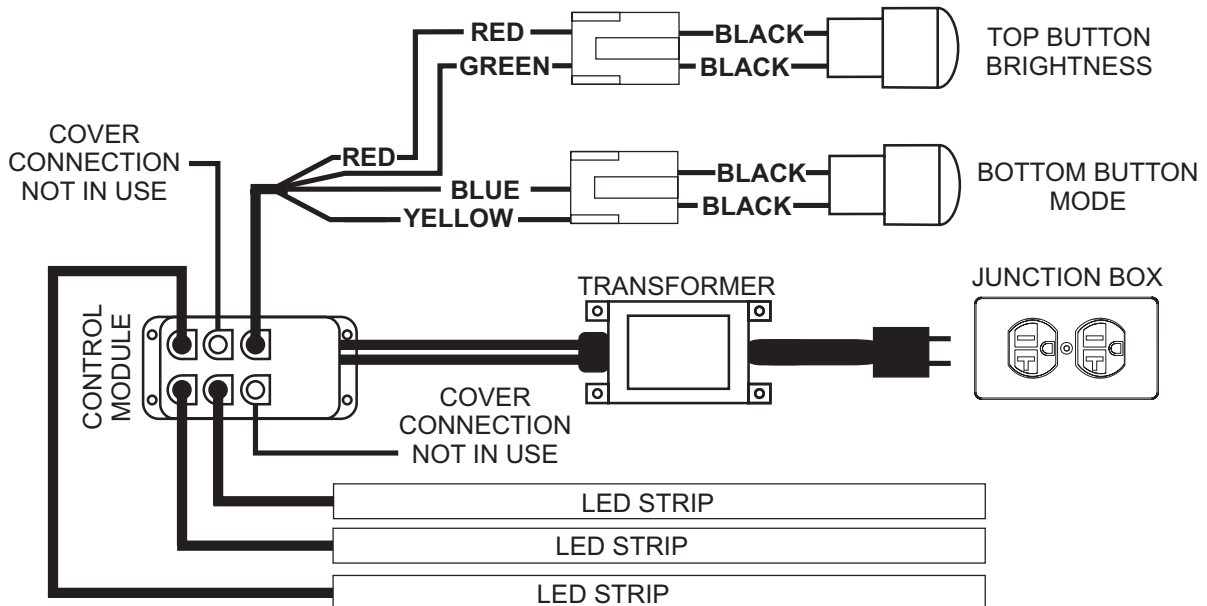
Label all wires prior to disconnection when servicing controls. Wiring errors can cause improper and dangerous operation.

Verify proper operation after servicing.

The wire terminals shown in **Figure 37** are not connected.



**Figure 37**



**Figure 38**



## INSTALLATION OPTION 1 - CLEAN FACE

***NOTICE:***

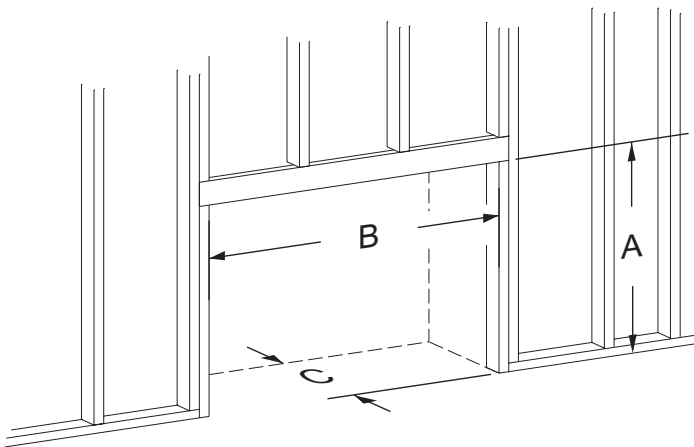
The steps on pages 26, 27 and 28 are for installation OPTION 1 - Clean Face.

This type of installation will allow for finishing around the fireplace face with high-temperature paint.

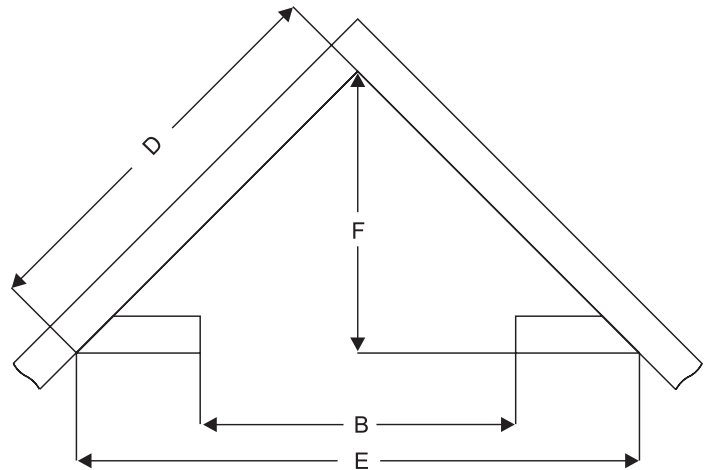
See pages 30, 31 and 32 for installing the fireplace for installation OPTION 2 - Flush Mount.

# OPTION 1 - CLEAN FACE (NON-COMBUSTIBLE BOARD INSTALLATION)

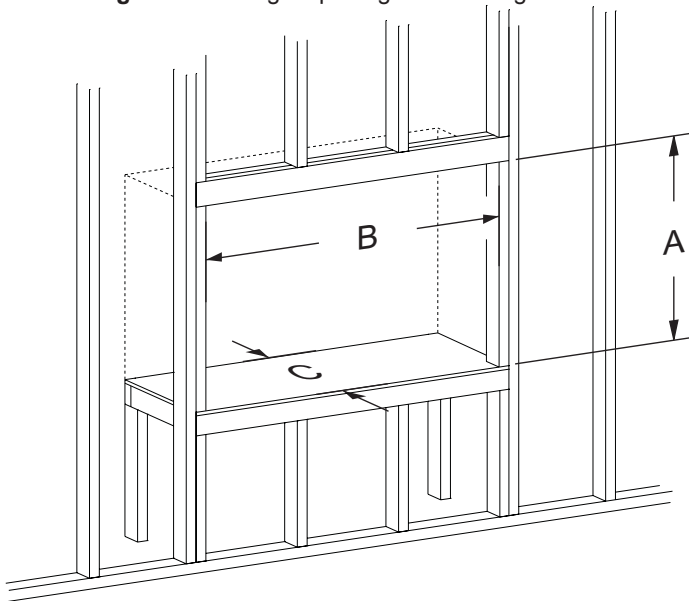
1. Frame in rough opening.
  - This fireplace is designed to be mounted on a hard, flat surface or raised platform.
  - Use dimensions shown in **Figure 39** for a conventional rough opening.
  - Use **Figure 40** for an elevated installation. Provide support to the bottom of the fireplace.
  - Use dimensions shown in **Figure 41** for corner rough opening. Be sure to provide gas line and electrical power for fireplace assembly.
2. Refer to Junction Box Wiring section on page 22 for details on electrical requirements.
3. Verify gas and electrical lines are ready for fireplace installation. See Gas Supply pages 20 - 22.



**Figure 39** - Rough Opening for Installing in Wall



**Figure 41** - Rough Opening for Installing in Corner



**Figure 40** - Rough Opening for Elevated Installation

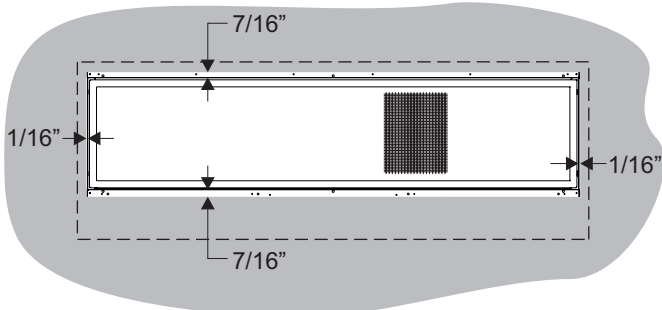
| TABLE 3 - FRAMING DIMENSIONS (in inches)<br>FOR FIGURES 39 - 41 |        |        |        |        |         |        |
|---|--------|--------|--------|--------|---------|--------|
| Model   | A      | B      | C      | D      | E       | F      |
| VFLB60FP90  | 41-5/8 | 66-1/2 | 11-1/2 | 63-3/8 | 89-1/2  | 44-3/4 |
| VFLB72FP90  | 41-5/8 | 78-1/2 | 11-1/2 | 71-7/8 | 101-1/2 | 50-3/4 |

\* Minimum clearance with 1/2-inch non-combustible board over face of fireplace.

# OPTION 1 - CLEAN FACE (NON-COMBUSTIBLE BOARD INSTALLATION)

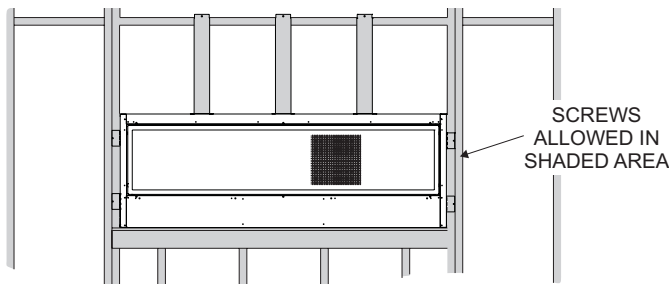
**NOTICE:** If installing a decorative front, an offset between the finishing materials and fireplace opening is required. Refer to the installation instructions provided with the decorative front before framing the opening.

- For installation of the **DF601VBL-1**, **DF602VBL-1**, **DF701VBL**, and **DF722VBL-1** kits, 1/16-inch is required to either side of the fireplace opening, and 7/16-inch unfinished space is required on top and bottom of the fireplace opening.



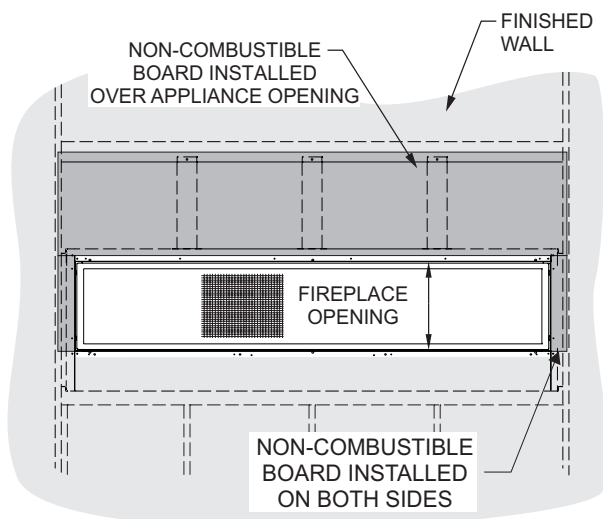
**Figure 42**

- Screws are allowed in framing and top mounting brackets. No screws are allowed into the fireplace. **See Figure 43.**

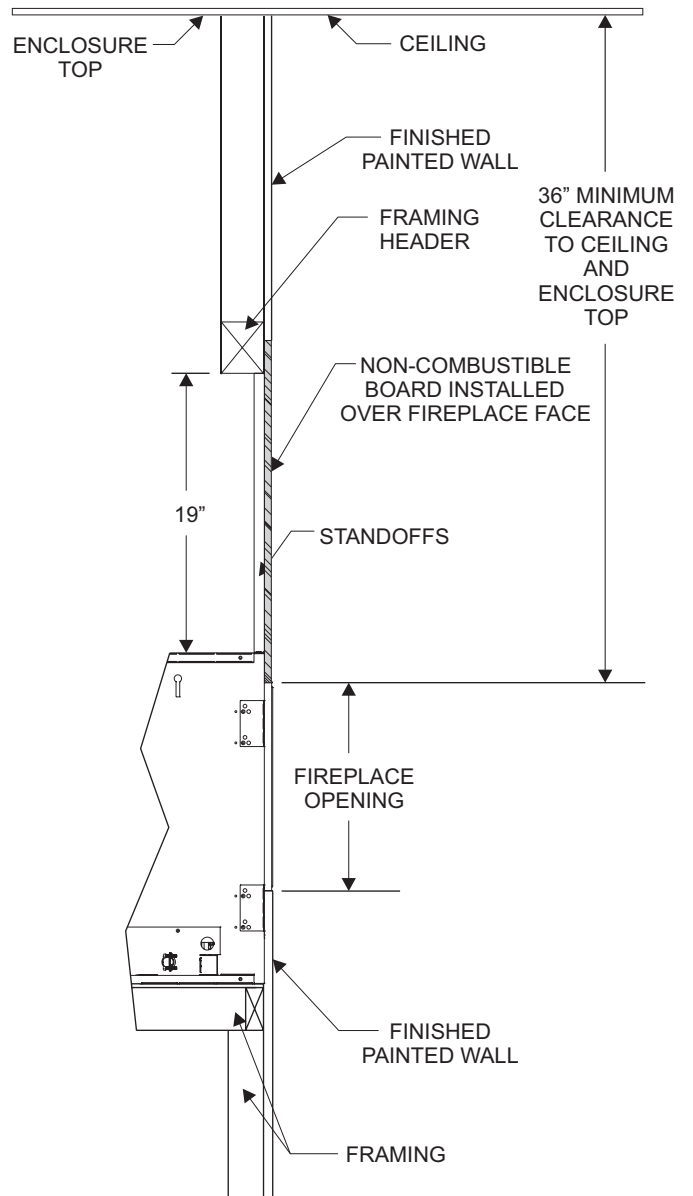


**Figure 43**

- Place upper non-combustible board above fireplace opening to required gap, and secure with screws in approved area,
- Place side non-combustible boards to the side of each opening to required gap and secure with screws in approved area.



**Figure 44**



**Figure 45**

**NOTICE:** Standoffs and non-combustible board shown for reference.

## OPTION 1 - CLEAN FACE (NON-COMBUSTIBLE BOARD INSTALLATION)

4. Install non-combustible board provided with the fireplace.  
**See Figure 44.**
  - Do not attach non-combustible board to the fireplace. Attach non-combustible board only to framing and standoffs.
  - Space non-combustible board 1/16 inch off of fireplace opening flanges to allow for expansion during operation.
  - Predrill holes into non-combustible board and counter-sink.
  - For best results treat non-combustible board and area around the board with Kilz primer prior to applying adhesive or sealing compound.
  - Apply adhesive in joints between non-combustible board panels.
  - Use only high-temperature adhesive and high-temperature paints rated for minimum 300° F with the non-combustible board.
5. Finish Wall.
  - Use woven fiberglass joint tape and Durabond 45 joint compound for best results when finishing non-combustible panel and drywall joints around fireplace.
  - Tile or non-combustible materials can be applied on top of the non-combustible board and finished wall as their instructions require.

### NOTICE FOR FINISHING MATERIALS

The wall above the fireplace will become hot. Install the non-combustible board supplied with the fireplace before adding paint, tile or stone. Attach tile or other non-combustible products to the fireplace face and to the non-combustible area using adhesives designed for high-temperature applications. Follow the manufacturer's instructions for application and curing times. Heat from the fireplace may cause incorrectly installed materials to fail. If you are painting above the fireplace, use a coating designed for high temperature environments and follow the manufacturer's instructions for surface preparation, application and curing. Heat from the fireplace may cause incorrectly applied coatings to fail or discolor.

Due to the variable properties of natural stone, the material may have stress points that are unpredictable when installed above or around the fireplace. These stress points may result in cracking of the finish materials. Empire Comfort Systems is not responsible for the finishing materials used with our fireplaces.

### CAUTION

**Failure to use a 300°F minimum adhesive may allow the finishing material to fall.**

## INSTALLATION OPTION 2 - FLUSH MOUNT

**NOTICE:**

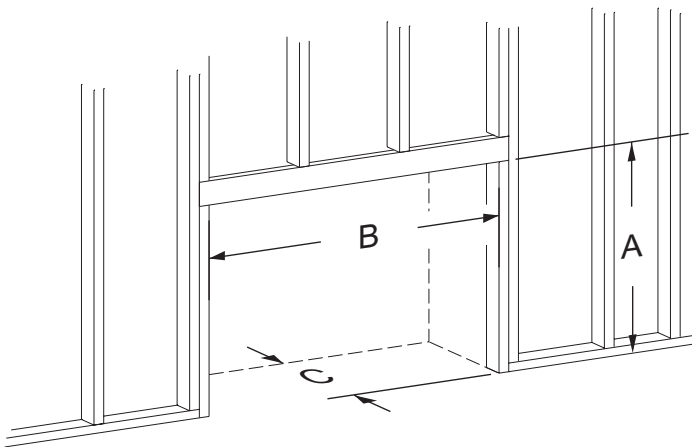
The steps on pages 30, 31, and 32 are for installation OPTION 2 - Flush Mount.

This type of installation will allow for applying tile, marble, stone or other non-combustible materials over the face of the fireplace cabinet up to the flange opening.

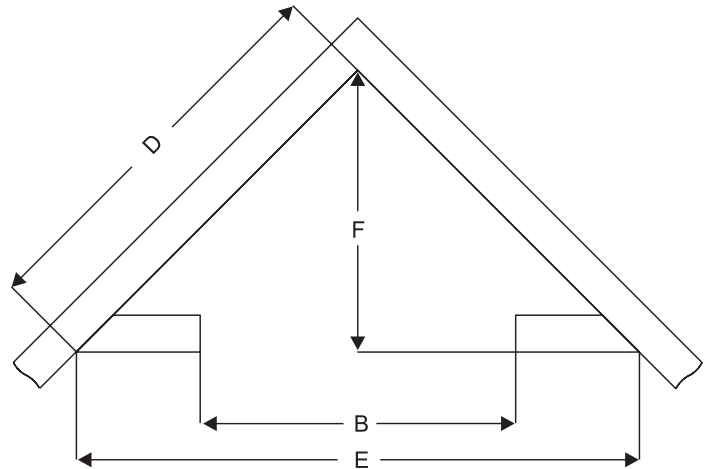
See pages 26, 27 and 28 for installation OPTION 1 - Clean Face.

# OPTION 2 - FLUSH FACE (NON-COMBUSTIBLE BOARD INSTALLATION)

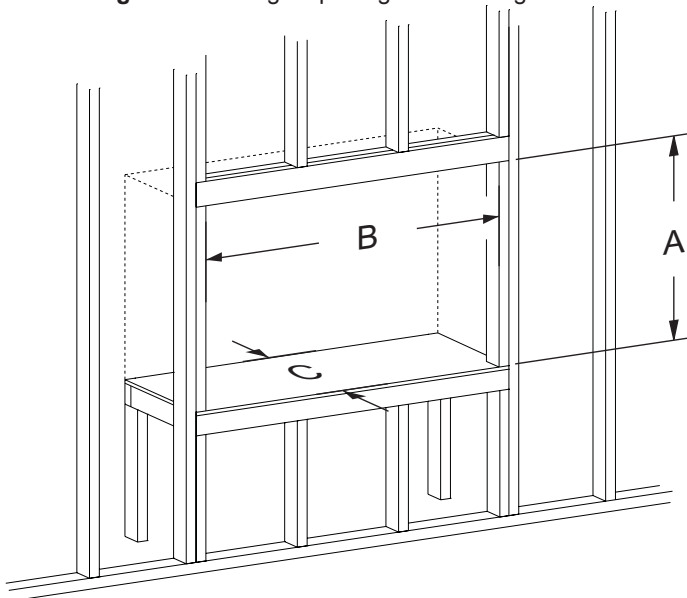
1. Frame in rough opening.
  - This fireplace is designed to be mounted on a hard, flat surface or raised platform.
  - Use dimensions shown in **Figure 46** for a conventional rough opening.
  - Use **Figure 47** for an elevated installation. Provide support to the bottom of the fireplace.
  - Use dimensions shown in **Figure 48** for corner rough opening. Be sure to provide gas line and electrical power for fireplace assembly.
2. Refer to Junction Box Wiring section on page 22 for details on electrical requirements.
3. Verify gas and electrical lines are ready for fireplace installation. See Gas Supply pages 20 - 22.



**Figure 46** - Rough Opening for Installing in Wall



**Figure 48** - Rough Opening for Installing in Corner



**Figure 47** - Rough Opening for Elevated Installation

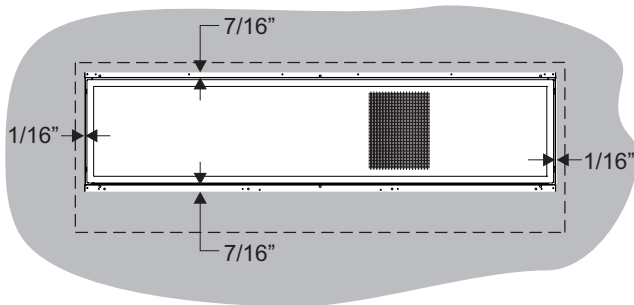
| TABLE 4 - FRAMING DIMENSIONS (in inches)<br>FOR FIGURES 46 - 48 |        |        |    |        |         |        |
|---|--------|--------|----|--------|---------|--------|
| Model   | A      | B      | C  | D      | E       | F      |
| VFLB60FP90  | 41-5/8 | 66-1/2 | 11 | 62-5/8 | 88-1/2  | 44-1/4 |
| VFLB72FP90  | 41-5/8 | 78-1/2 | 11 | 71-1/8 | 100-1/2 | 50-1/4 |

\* Minimum clearance with 1/2-inch non-combustible board over face of fireplace.

# OPTION 2 - FLUSH FACE (NON-COMBUSTIBLE BOARD INSTALLATION)

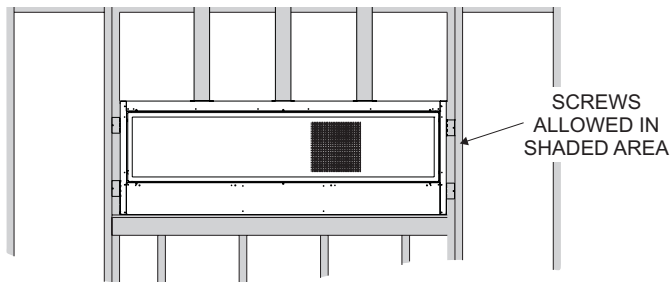
**NOTICE:** If installing a decorative front, an offset between the finishing materials and fireplace opening is required. Refer to the installation instructions provided with the decorative front before framing the opening.

- For installation of the **DF601VBL-1**, **DF602VBL-1**, **DF721VBL-1** and **DF722VBL-1** kits, 1/16-inch unfinished space is required to either side of the fireplace opening, and 7/16-inch unfinished space is required on top and bottom of the fireplace opening.



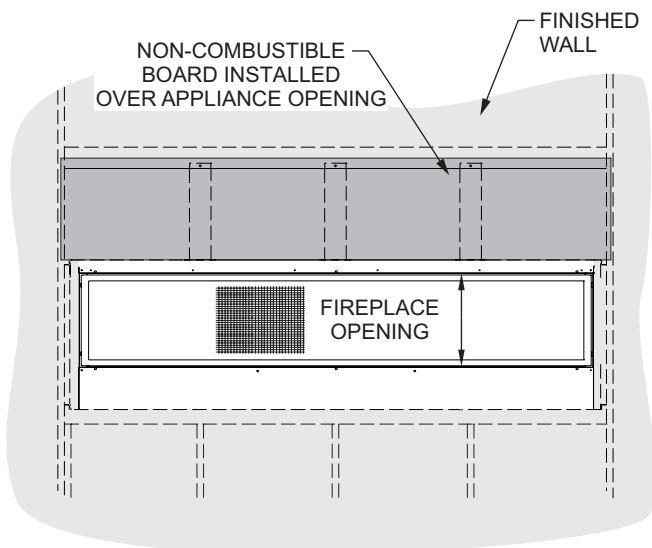
**Figure 49**

- Screws are allowed in framing and top mounting brackets. No screws are allowed into the fireplace face. **See Figure 50.**

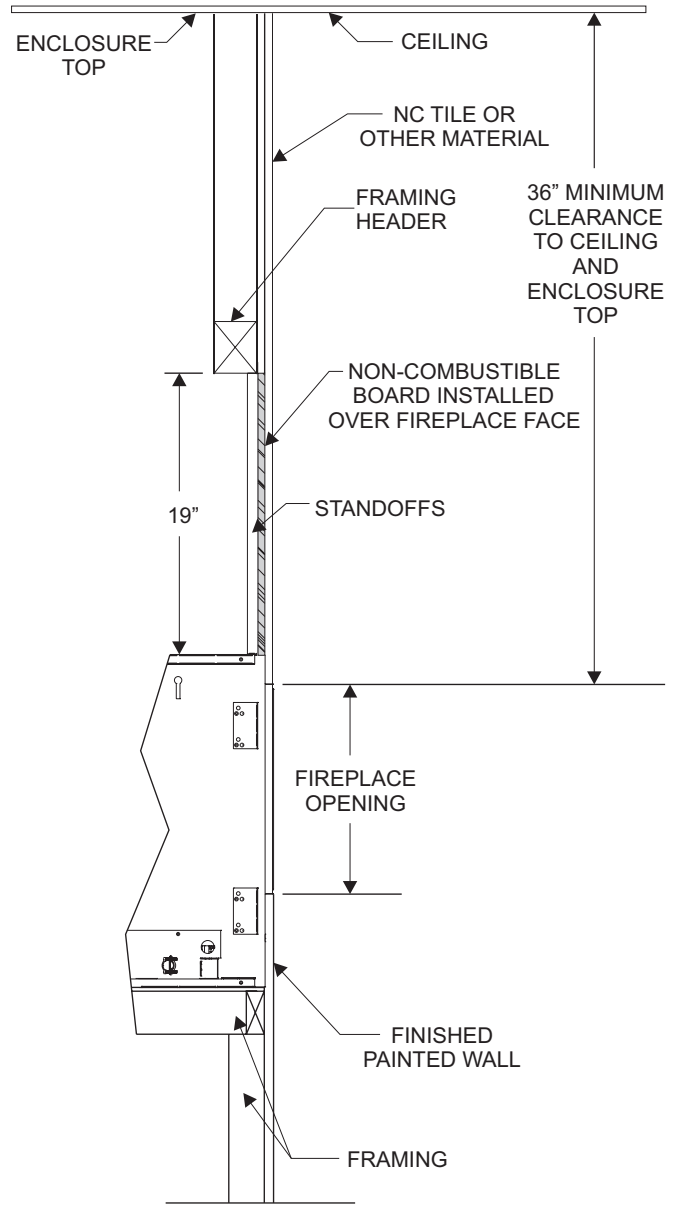


**Figure 50**

- Place the non-combustible board above fireplace opening to required height, and secure with screws in approved area,
- Side non-combustible boards not used in this application.



**Figure 51**



**Figure 52**

**NOTICE:** Standoffs and non-combustible board shown for reference.

## OPTION 2 - FLUSH FACE (NON-COMBUSTIBLE BOARD INSTALLATION)

4. Install non-combustible board provided with the fireplace.  
**See Figure 51.**
  - Do not attach non-combustible board to the fireplace face. Attach non-combustible board only to the framing and standoffs.
  - Space non-combustible board 1/16 inch off of fireplace opening flanges to allow for expansion during operation.
  - Predrill holes into non-combustible board and counter-sink.
  - For best results treat non-combustible board and area around the board with Kilz primer prior to applying adhesive or sealing compound.
  - Apply adhesive in joints between non-combustible board panels.
  - Use only high-temperature adhesive and high-temperature paints rated for minimum 300° F with the non-combustible board.
5. Finish Wall.
  - Use woven fiberglass joint tape and Durabond 45 joint compound for best results when finishing non-combustible panel and drywall joints around fireplace.
  - Tile or non-combustible materials can be applied on top of the non-combustible board and finished wall as their instructions require.

### NOTICE FOR FINISHING MATERIALS

The wall above the fireplace will become hot. Install the non-combustible board supplied with the fireplace before adding paint, tile or stone. Attach tile or other non-combustible products to the fireplace face and to the non-combustible area using adhesives designed for high-temperature applications. Follow the manufacturer's instructions for application and curing times. Heat from the fireplace may cause incorrectly installed materials to fail. If you are painting above the fireplace, use a coating designed for high temperature environments and follow the manufacturer's instructions for surface preparation, application and curing. Heat from the fireplace may cause incorrectly applied coatings to fail or discolor.

Due to the variable properties of natural stone, the material may have stress points that are unpredictable when installed above or around the fireplace. These stress points may result in cracking of the finish materials. Empire Comfort Systems is not responsible for the finishing materials used with our fireplaces.

### CAUTION

**Failure to use a 300°F minimum adhesive may allow the finishing material to fall.**



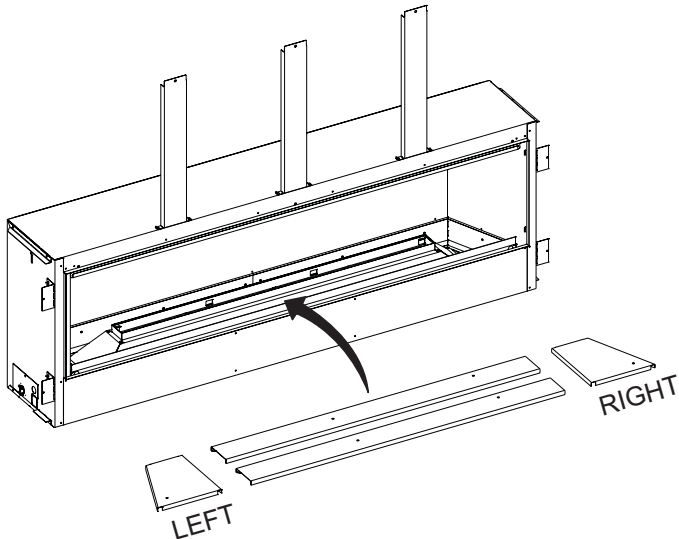
# COMPLETING INSTALLATION

## ⚠ WARNING

Failure to position the parts in accordance with the diagrams and instructions below or failure to use only parts specifically approved for use with this fireplace may result in property damage or personal injury.

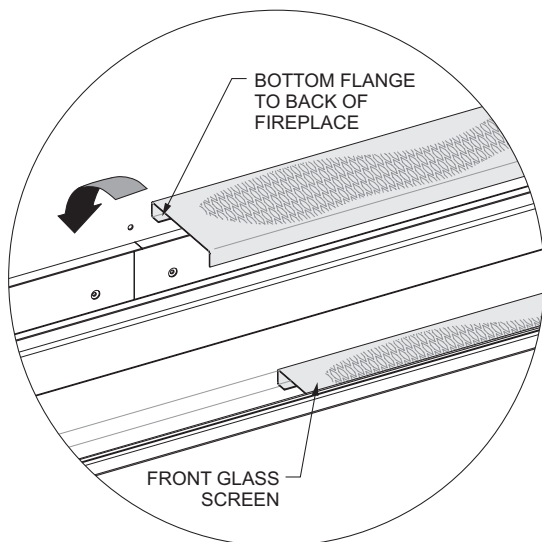
**NOTICE:** During setup the burner may be operated with or without the optional Decorative accessories.

1. If installing an optional decorative front, install it at this time. Refer to the instructions provided with the decorative front kit.
2. If installing an optional liner, install it at this time. Refer to the instructions provided with the liner kit.
3. Replace reflective burner cover.
4. Install the burner screens as shown in **Figure 53**. If installing an optional log set, refer to the log set instruction manual for placing the log pins into the burner screens. **See Figure 54.**



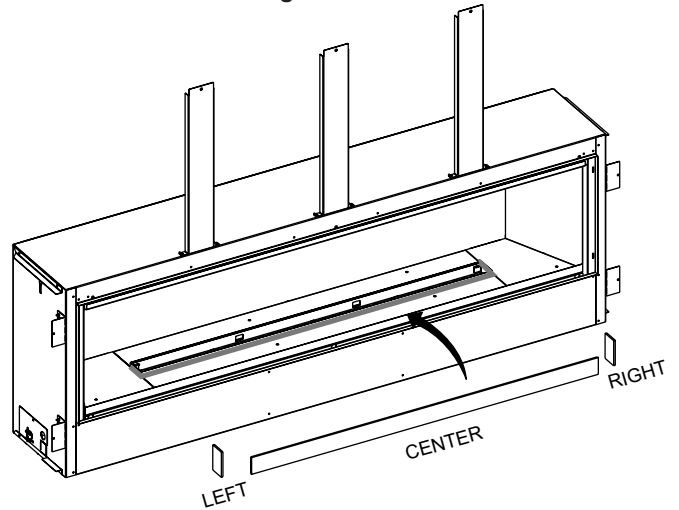
**Figure 53**

**NOTICE:** The flange on the bottom of the front and rear burner screens must be toward the rear of the fireplace. **See Figure 54.**



**Figure 54**

5. Retrieve the 3 glass panels and install on front and both sides of burner. **See Figure 55.**



**Figure 55**

6. If installing the optional log/rock set, refer to the log set instruction manual for placing them around the burner.

**NOTICE:** VFLB60FP will accept 5 square feet of Decorative Glass and VFLB72FP will accept 6 square feet of Decorative Glass.

## ⚠ WARNING

Crushed glass must not be more than a single layer. Do not use more glass than recommended. Using excess glass may cause injury or property damage.

## ⚠ WARNING

Use only decorative rocks and glass designed for use in a fireplace. Using other materials may cause a situation where injury or property damage may occur.

## ⚠ WARNING

Never place media materials on or next to the burner.

The Decorative Glass options are available in various colors and package sizes. Choose the size appropriate for the fireplace. See list on page 9.

## ⚠ CAUTION

To prevent injury, use gloves and eye protection while applying the decorative glass or droplets.

Application of the Decorative Glass or Rocks should only be performed after the burner has been fully installed, secured and tested for leaks.

# COMPLETING INSTALLATION

7. Apply crushed glass to the shaded area only. **See Figure 56.** Use enough to cover the area of the fireplace, but do not allow the media to reach higher than the flange surrounding the burner. Never place decorative media inside the flange surrounding the burner itself. This fireplace uses crushed glass. Accent glass droplets (1/2 inch) or glass drops (1 inch), and ceramic fiber rocks and pebbles may be added. Mix colors and glass types, but do not exceed the recommended amount of decorative media.

**CAUTION**

Glass or rocks must not be placed around the ends or over the front edge of the burner assembly. Do not restrict air flow.

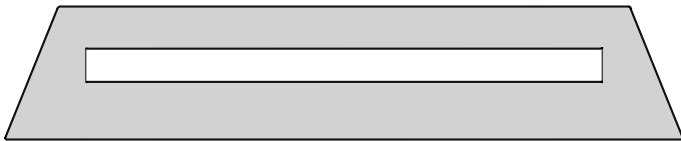


Figure 56

**QUANTITY OF GLASS**

| Model    | Amount        |
|----------|---------------|
| VFLB60FP | 5 square feet |
| VFLB72FP | 6 square feet |

8. Replace the Barrier Screen onto the fireplace by lining up the tabs with the slots in the firebox. Push the barrier screen toward the unit and lower it slightly to lock in place. **See Figures 57 and 58.**

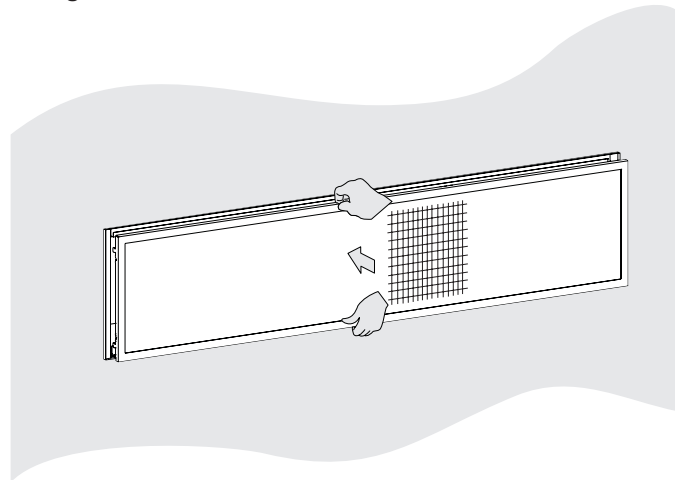


Figure 57

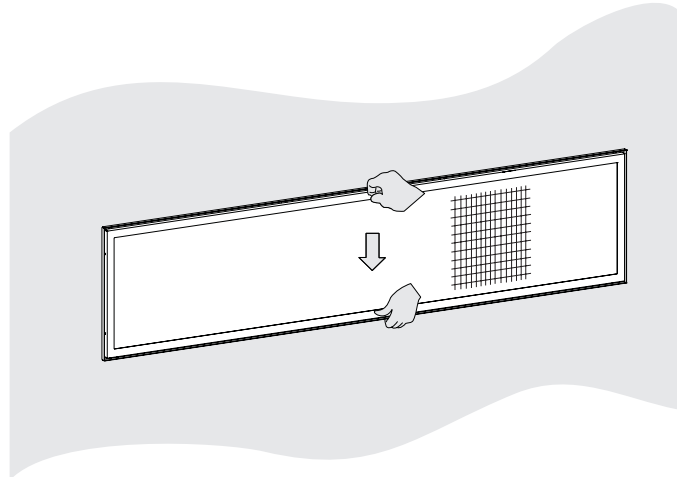


Figure 58

9. Test the fireplace using remote and show owner how to use the remote. Show owner lighting instructions in homeowner's manual.
10. Installation of fireplace is complete. Leave this manual with owner.

# LIGHTING INSTRUCTIONS

## FOR YOUR SAFETY READ BEFORE LIGHTING

### ⚠ WARNING



If you do not follow these instructions exactly, a fire or explosion may result causing property damage, personal injury or loss of life.

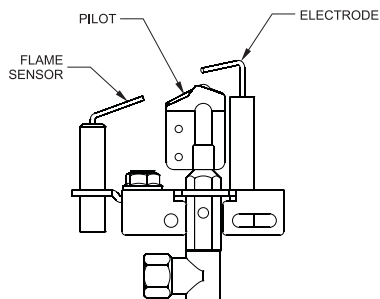
- A. This appliance has a pilot which can be lit by hand or by switching the remote receiver switch to the "ON" position. When lighting the pilot, follow these instructions exactly.
- B. Before lighting smell all around the appliance area for gas. Be sure to smell next to the floor because some gas is heavier than air and will settle on the floor.
- C. If applicable, use only your hand to turn the gas shutoff valve handle. Never use tools. If the handle will not turn by hand, don't try to repair it; call a qualified service technician. Force or attempted repair may result in a fire or explosion.
- D. Do not use this appliance if any part has been under water. Immediately call a qualified service technician to inspect the appliance and to replace any part of the control system and any gas control which has been under water.

#### What To Do If You Smell Gas

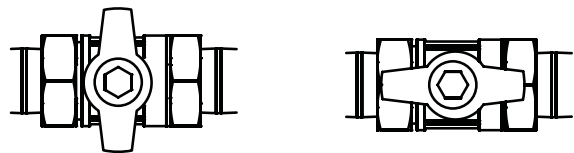
- Do not try to light any appliance.
- Do not touch any electrical switch;
- Do not use any phone in your building.
- Immediately call your gas supplier from a neighbor's phone. Follow the gas supplier's instructions.
- If you cannot reach your gas supplier, call the fire department.

# LIGHTING INSTRUCTIONS

1. STOP! Read the safety information above.
2. Turn OFF electric power to the appliance.
3. Turn gas shutoff valve counterclockwise  to On position.
4. Wait ten (10) minutes to clear out any gas. Then smell for gas, including near the floor. If you smell gas, STOP! Follow B in the safety information above on this page. If you do not smell gas, go to the next step.
5. Turn ON electric power to the appliance.
6. Find pilot. The pilot is next to the burner.
7. Turn main flame to on. If the pilot does not light within 60 seconds, stop and go to Step 5.
8. Refer to remote control instructions for detailed information, control features, and operation. **NOTICE:** There is a CPI/ IPI switch for a continuous standing pilot mode or an intermittent pilot mode. See appliance manual for location of this switch. If the pilot or burner does not stay lit (in the standing pilot mode), stop and immediately call a qualified service technician or gas supplier.
9. If the burner or pilot does not operate properly after several tries, turn the gas valve clockwise  to OFF and call your service technician or gas supplier.
10. Operation of the gas valve is controlled by a manual on/off switch or a hand held remote control. Refer to remote instructions for detailed operation information.




#### GAS SHUT-OFF VALVE



OFF

ON

## TO TURN OFF GAS TO FIREPLACE

1. Set REMOTE/OFF/ON switch to OFF.
2. Turn off all electric power to the appliance if service is to be performed (if applicable).
3. Turn gas shut-off clockwise  to OFF. Do not force.

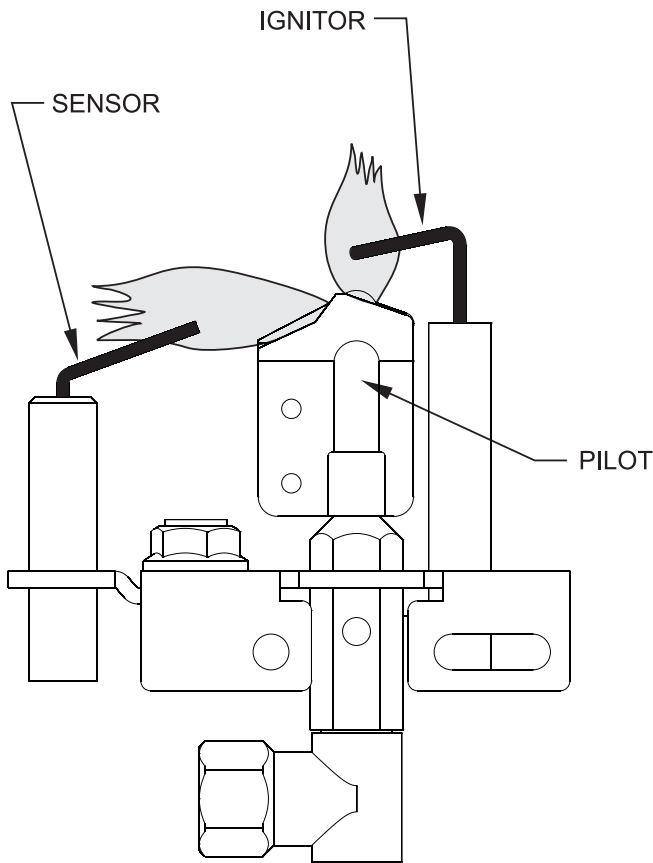
# PILOT FLAME CHARACTERISTICS

**Figure 59** shows a correct pilot flame pattern. The correct flame will be blue and will extend beyond the flame sensor. The flame will surround the flame sensor just below the tip. A slight yellow flame may occur where the pilot flame and main burner flame meet. **Figure 60** shows an incorrect pilot flame pattern. The incorrect pilot flame is not touching the flame sensor. This will cause the flame sensor to cool. When the flame sensor cools, the fireplace will shut down.

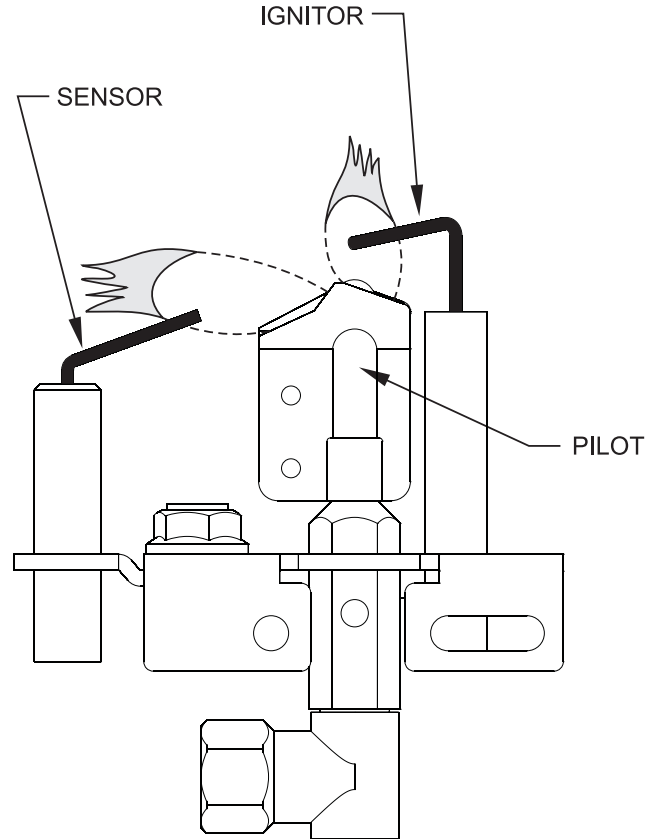
Flames from the pilot (front center of burner) as well as the main flame should be visually checked as the fireplace is installed.

In normal operation at full rate after 10 to 15 minutes, the flame appearance should be sets of yellow flames.

**NOTICE:** All flames will be random by design, flame height will go up and down.



**Figure 59** - Correct Pilot Flame Pattern



**Figure 60** - Incorrect Pilot Flame Pattern

If pilot flame pattern is incorrect, as shown in **Figure 60**:

- See Intermittent Pilot Troubleshooting, pages 38-41.

# PROFLAME - IP CONTROL SYSTEM

| TECHNICAL DATA              |                                   |
|-----------------------------|-----------------------------------|
| <b>Remote Control</b>       |                                   |
| Supply voltage              | 4.5 V (three 1.5 V AAA batteries) |
| Ambient temperature ratings | 0-50°C (32 - 122°F)               |
| Radio frequency             | 315 MHz                           |

| RECEIVER                    |                                 |
|-----------------------------|---------------------------------|
| Supply voltage              | 6.0 V (four 1.5 V AA batteries) |
| Ambient temperature ratings | 0-60°C (32 - 140°F)             |
| Radio frequency             | 315MHz                          |

## ⚠ WARNING

The transmitter and receiver are radio frequency devices. Placing the receiver in or near metal may severely reduce the signal range.

## ATTENTION

- Turn off the main gas supply of the fireplace during installation or maintenance of the receiver.
- Place the receiver's 3-position slider switch in the off (down) position during installation or maintenance.
- Turn off main gas supply to the fireplace prior to removing or reinserting the batteries in the receiver.

### TRANSMITTER (REMOTE CONTROL WITH LCD DISPLAY)

The Proflame Transmitter uses a streamline design with a simple button layout and informative LCD display. See Figure 62. The Transmitter is powered by 3 AAA type batteries. A Mode Button is provided to Index between the features and a Thermostat Button is used to turn on/off or index through thermostat functions. See Figures 61 and 62.

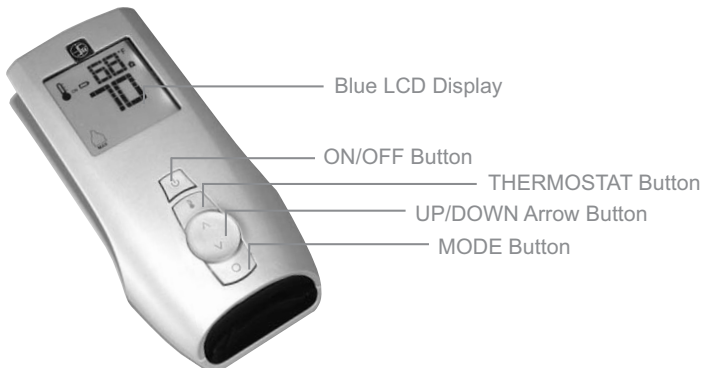


Figure 61 - Proflame Transmitter

The receiver may need to learn the transmitter. Press "learn" button on the remote receiver followed by the power ON/OFF button on the transmitter. A series of beeps will signal communication has been made.

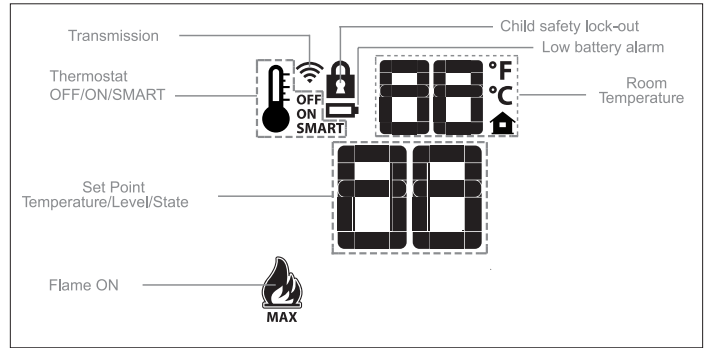


Figure 62 - Transmitter LCD display

### RECEIVER

The Proflame Receiver Figures 63 and 64 connects directly to the gas valve and stepper motor with a wiring harness. The Receiver is powered by 4 AA type batteries. The Receiver accepts commands via radio frequency from the Transmitter to operate the fireplace in accordance with the particular Proflame system configuration. The Receiver three position slider switch can be set to one of three positions: Up for ON (Manual Override), middle for Remote (Remote control) or down for OFF.

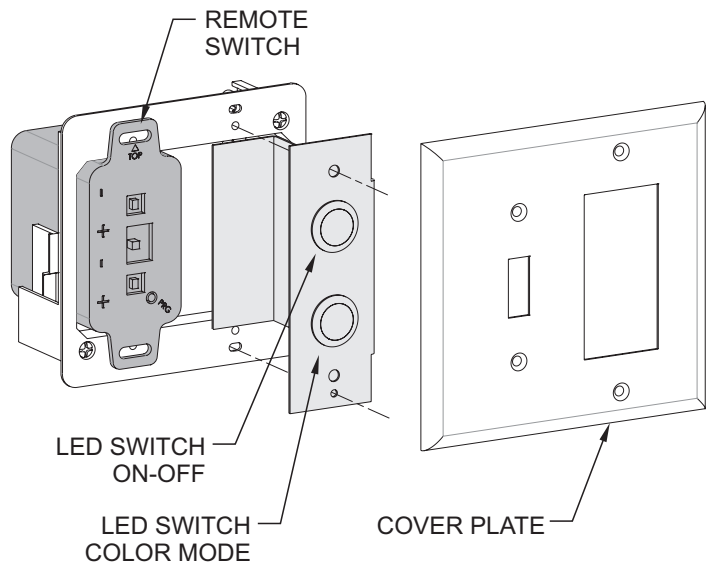


Figure 63 - Proflame Receiver Body Front

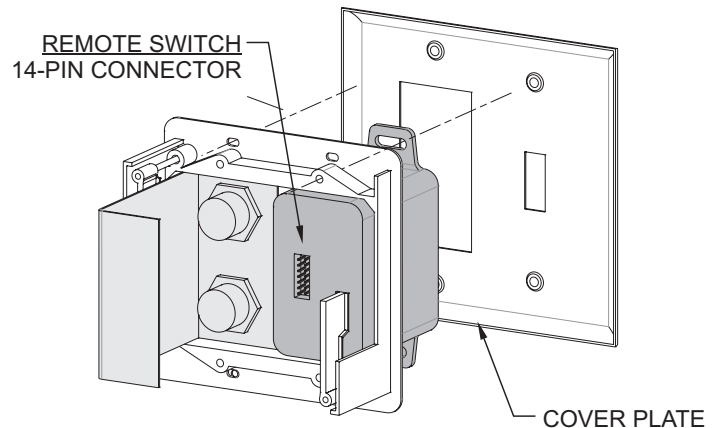


Figure 64 - Proflame Receiver Body Back

# TROUBLESHOOTING

## BRIEF DESCRIPTION OF THE COMPONENTS

The Digital Fireplace Control (DFC) is an automatic gas ignition system based on a single micro-controller core. This control manages all functions related to ignition, flame sensing and supervision for atmospheric applications.

The DFC can be set to provide continuous or intermittent ignition control sequences and flame monitoring with safety shutdown in case of failure.

The DFC is set up as a stand alone (AC powered system with battery back up). See IP Lighting Instructions on page 35 and Wiring Diagram on page 24.

## TROUBLESHOOTING

Before proceeding with the procedures in the following troubleshooting table, verify that the power supply (AC/DC adapter) is present and that the batteries inside the remote switch and remote control are fresh and installed with correct polarity. Make sure all the connections between the wire harnesses and system components are proper and positive.

Verify that the static inlet pressure meets the manufacturer's recommended inlet pressure. If necessary adjust the line pressure regulator.

If the recommended actions for the following troubleshooting chart do not help to address the problem consider replacing wiring harnesses.

### WARNING

**Any actions performed on the gas valve must be performed in accordance with this instruction manual. Likewise, any actions performed on the DFC or other system components must be done in accordance with the individual component instructions. Replacement of components must be performed in accordance with this instructions manual.**

This page intentionally left blank.

## TROUBLESHOOTING - (CONT'D)

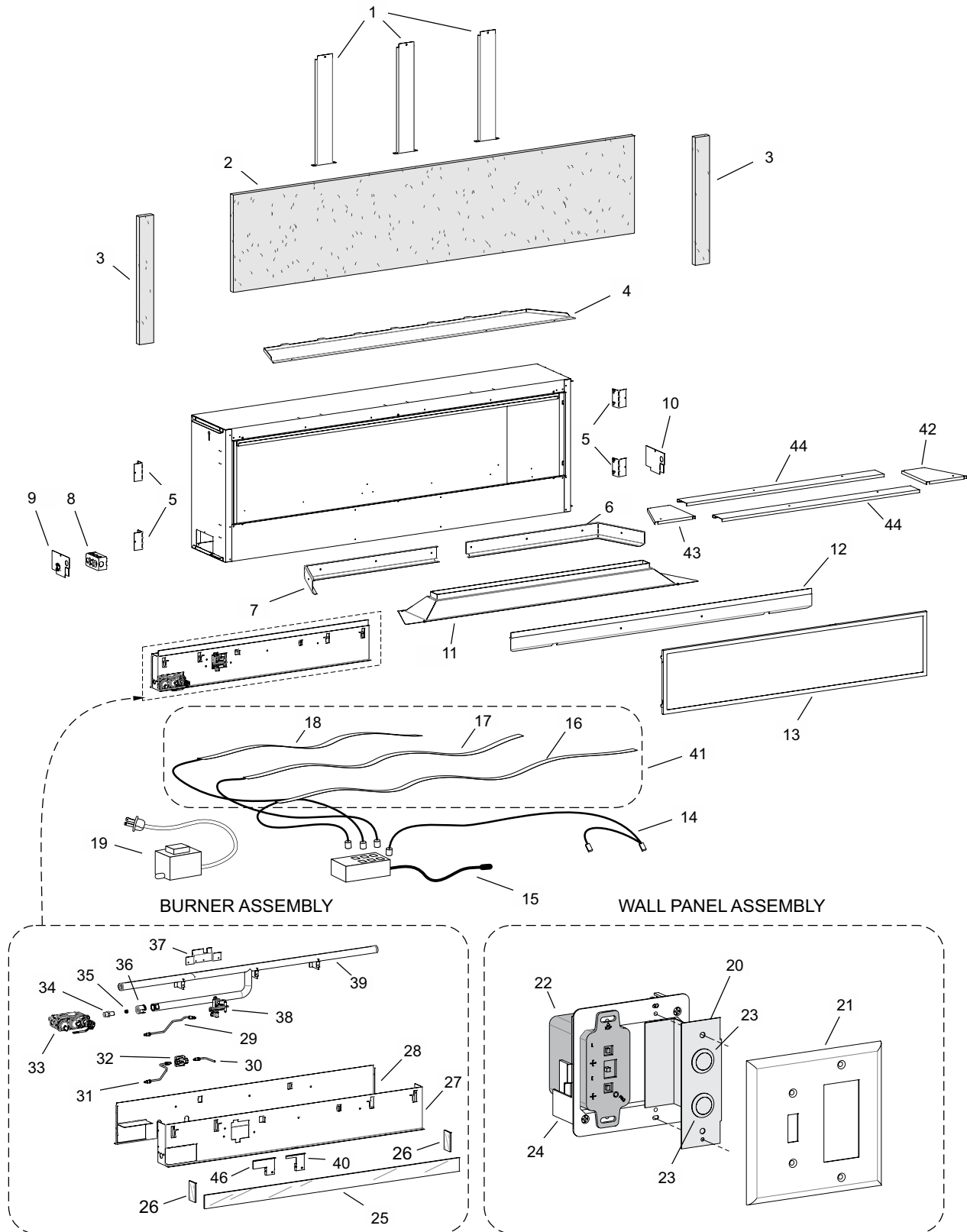
| PROBLEM OBSERVED  | POSSIBLE CAUSE                                       | CORRECTIVE MEASURE   |
|---|--|--|
| Gas odor during setup   | Gas Leak   | <b>What To Do If You Smell Gas</b><br>Do not try to light any appliance.<br>Do not touch any electrical switch;<br>Do not use any phone in your building.<br>Immediately call your gas supplier from a neighbor's phone. Follow the gas supplier's instructions.<br>If you cannot reach your gas supplier, call the fire department. |
| Gas odor before first ignition                                | Gas Leak   |  |
| Fireplace is on but no flame and pilot is not trying to light | Gas Line Valve turned off                            | Turn shut-off valve to open position   |
|   | Control module in lockout                            | Turn power to fireplace off and then back on   |
| Pilot continues to spark when pilot is lit.                   | Not enough gas to pilot                              | Wait for pilot flame to strengthen   |
|   | Low Gas Pressure                                     | Check pressures. See page 20.  |
|   | Pilot igniter/sensor is dirty                        | Clean pilot. See maintenance homeowner manual.   |
|   | Pilot not grounded well                              | Check ground connections   |
|   | Draft in firebox                                     | Redirect draft from room or wall   |
|   | Pilot sensor has been bent                           | Replace pilot  |
| Pilot will not ignite, or will not stay lit                   | Pilot igniter/sensor is dirty                        | Clean flame sensor and pilot igniter. See maintenance homeowner manual.  |
|   | Pilot not grounded well                              | Check ground connections   |
|   | Sensor Wire loose                                    | Check sensor wire terminals  |
|   | Gas pressure incorrect                               | Adjust gas pressure  |
|   | Pilot Gas Line bent or kinked                        | Replace pilot tube   |
|   | Faulty pilot, Sensor bent                            | Replace Pilot  |
|   | Faulty valve   | Replace Valve  |
| Burner takes too long to fully light                          | Low gas pressure                                     | Check gas supply pressure  |
|   | Clogged or dirty carryover/burner ports              | Clean ports  |
|   | Blocked orifice                                      | Check orifice opening  |
|   | Faulty valve   | Replace valve  |
| Burner does not light but pilot remains on                    | Low gas pressure                                     | Check gas supply pressure  |
|   | Clogged or dirty burner ports                        | Clean burner ports   |
|   | Blocked orifice                                      | Check orifice opening  |
|   | Loose wire connections                               | Check valve/control module connections   |
|   | Faulty pilot   | Replace pilot  |
|   | Faulty valve   | Replace valve  |
| Burner lights but does not stay lit while pilot remains on    | Low gas pressure                                     | Check gas supply pressure  |
|   | Loose sensor wire                                    | Check wire connection  |
|   | Faulty valve   | Replace valve  |
|   | Faulty pilot or thermocouple                         | Replace Safety pilot   |
|   | Clogged or dirty burner ports                        | Clean burner ports   |
|   | Room temperature is higher than thermostat setting   | Move remote away from fireplace  |
|   |  | Set higher temperature on remote/thermostat  |
| Remote control batteries failing                              | Replace batteries in remote transmitter and receiver |  |



## TROUBLESHOOTING (CONT'D)

| PROBLEM OBSERVED                           | POSSIBLE CAUSE  | CORRECTIVE MEASURE   |   |
|--|---|--|---|
| Burner & pilot light but will not stay lit | Flame sensor dirty  | Clean pilot sensor   |   |
|  | Low gas pressure  | Check gas supply pressure  |   |
|  | Not enough fresh air for pilot  | Open door or window - ventilate  |   |
|  | Clogged or dirty burner ports   | Clean burner ports   |   |
|  | (For fireplace equipped with optional thermostat or thermostat remote) Room temperature is higher than thermostat setting | Move (optional) remote away from fireplace   | Set higher temperature on (Optional) remote/ thermostat |
|  |   | If using Propane Gas, verify pilot bracket is not installed. Pilot bracket if included, will be outside of burner box to the right and above the pilot | Remove pilot bracket                                    |
|  | Remote control batteries failing  | Replace batteries in remote transmitter and receiver   |   |
|  | Faulty pilot or thermocouple  | Replace pilot  |   |
| Incorrect burner flame                     | Incorrect gas supply or pressure  | Check gas supply pressure  |   |
|  | Blocked orifice   | Check orifice opening  |   |
|  | Clogged or dirty burner ports   | Clean burner ports   |   |
|  | Faulty valve  | Replace valve  |   |
|  | High altitude   | Adjust orifice size for altitude   |   |
| Backfire of burner                         | Blocked orifice   | Check orifice opening  |   |
|  | Clogged or dirty burner ports   | Clean burner ports   |   |
|  | Low gas pressure  | Check gas supply pressure  |   |
| Fireplace produces unwanted odors          | Vapors from paint, hairspray, glue, etc.  | Ventilate room until odor stops. Do not use paint, hairspray, glue, etc around fireplace   |   |
|  | Initial burn-off of manufacturing chemicals   | Ventilate room until odor stops  |   |
| Whistle noise from fireplace               | Check gas pressure  | Adjust gas pressure to recommended setting.  |   |
|  | Air in gas line   | Bleed lines  |   |
|  | Control knob not in fully open position   | Open control knob to full position   |   |
|  | Spiral gas flex line pinched or too small diameter line   | Straighten flex line where pinched or replace gas feed line with larger diameter   |   |

# VFLB(60,72)FP90 - EXPLODED VIEW



## ⚠ WARNING

Failure to position the parts in accordance with these diagrams or failure to use only parts specifically approved with this heater may result in property damage or personal injury.

# VFLB(60,72)FP90 - PARTS LIST

| INDEX NO. | PART NO. |          | DESCRIPTION                                     |
|-----------|----------|----------|---|
|           | VFLB60FP | VFLB72FP |   |
| 1         | 36787    | 36787    | Standoff Bracket (3 Required)                   |
| 2         | 40225    | 40226    | Non-Combustible Board - Top                     |
| 3         | 40222    | 40222    | Non-Combustible Board - Side (2 Required)       |
| 4         | 40184    | 40186    | Inner Firebox Top                               |
| 5         | 42261    | 42261    | Nailing Flange (4 Required)                     |
| 6         | 40202    | 40203    | Reflector Rear - Right                          |
| 7         | 40204    | 40205    | Reflector Rear - Left                           |
| 8         | R3490    | R3490    | Junction Box                                    |
| 9         | 40187    | 40187    | Junction Box Access Plate                       |
| 10        | 40188    | 40188    | Access Plate                                    |
| 11        | 40189    | 40190    | Reflective Burner Cover Assembly                |
| 12        | 40195    | 40197    | Reflector Front Assembly                        |
| 13        | 40311    | 40312    | Barrier Screen Assembly                         |
| 14        | R12294   | R12294   | Wire Harness - Switches                         |
| 15        | R13283   | R13283   | Control Module - LED                            |
| 16        | R11918   | R11986   | LED Lighting Strip - Front                      |
| 17        | R11918   | R11918   | LED Lighting Strip - Rear Right                 |
| 18        | R11918   | R11986   | LED Lighting Strip - Rear Left                  |
| 19        | R11920   | R11920   | Transformer - LED                               |
| 20        | 36827    | 36827    | Bracket - LED Buttons                           |
| 21        | R12296   | R12296   | Wall Plate                                      |
| 22        | R11235   | R11235   | Remote Receiver                                 |
| 23        | R11921   | R11921   | Switch Button - LED (2 Required)                |
| 24        | R12295   | R12295   | Wall Box  |
| 25        | R12292   | R12293   | Glass - Burner                                  |
| 26        | R12432   | R12432   | Glass - Side Burner (2 Required)                |
| 27        | 40101    | 40103    | Burner Box - Front                              |
| 28        | 40107    | 40109    | Burner Box - Back                               |
| 29        | 40113    | 40113    | Pilot Tube Assembly (Propane Only) *A*B         |
| 30        | 40112    | 40112    | Pilot Regulator Tube Assembly (Natural Only) *A |
| 31        | 40111    | 40111    | Regulator Valve Tube Assembly (Natural Only) *B |
| 32        | R7063    | R7063    | Regulator - Pilot (Natural Only)                |
| 33        | R11234   | R11234   | Valve - Propane                                 |
| 33        | R11233   | R11233   | Valve - Natural                                 |
| 34        | P313     | P313     | Fitting - Orifice Holder                        |

| INDEX NO. | PART NO.       |                | DESCRIPTION                              |
|-----------|----------------|----------------|--|
|           | VFLB60FP       | VFLB72FP       |  |
| 35        | P304           | P304           | Orifice - Propane                        |
| 35        | P211           | P211           | Orifice - Natural                        |
| 36        | R7624          | R7624          | Air Shutter                              |
| 37        | 34440          | 34440          | Pilot Bracket                            |
| 38        | R11327<br>2019 | R11327<br>2019 | Pilot - Propane                          |
| 38        | R11328<br>2019 | R11328<br>2019 | Pilot - Natural                          |
| 39        | R12666         | R12667         | Burner Tube Assembly                     |
| 40        | 37482          | 37482          | Pilot Shield (Natural Only)              |
| 40        | N/A            | 37482          | Pilot Shield (Propane Only)              |
| 41        | 36876          | 37344          | LED Replacement Kit (Includes #16,17,18) |
| 42        | 36784          | 36812          | Glass Support Right                      |
| 43        | 36785          | 36813          | Glass Support Left                       |
| 44        | 36786          | 36814          | Glass Support Center (2 Required)        |
| 45        | R11127         | R11127         | Control Module - Proflame                |
| 46        | 40110          | N/A            | Pilot Shield (Propane Only)              |
| N/S       | R11597         | R11597         | Tubing Ferrule - Pilot N/S               |
| N/S       | R11598         | R11598         | Tubing Nut - Pilot                       |
| N/S       | R1978          | R1978          | Tubing Nut & Ferrule - Valve             |
| N/S       | B100100        | B100100        | Fitting - 3/8 Flare to 3/8 Pipe          |
| N/S       | R7591          | R7591          | Flex Line                                |
| N/S       | R11128         | R11128         | Power Adaptor, 7.0 VDC                   |
| N/S       | R11123         | R11123         | Control Module Harness                   |
| N/S       | R11237         | R11237         | Receiver Harness                         |
| N/S       | R11973         | R11973         | Receiver Harness Extension               |
| N/S       | R11236         | R11236         | Remote                                   |
| N/S       | R11332         | R11332         | Flame Sensor Wire                        |
| N/S       | R11333         | R11333         | Ignitor Wire                             |
| N/S       | R3492          | R3492          | Receptacle (2 Required)                  |
| N/S       | R3491          | R3491          | Junction Box Cover                       |

\*A Also requires R11597 and R11598.

\*B Also requires R1978.

# SERVICE TECHNICIAN NOTES

| Date | Dealer Name | Service Technician Name | Service Performed/Notes |
|------|-------------|-------------------------|-------------------------|
|      |             |                         |                         |
|      |             |                         |                         |
|      |             |                         |                         |
|      |             |                         |                         |
|      |             |                         |                         |
|      |             |                         |                         |
|      |             |                         |                         |
|      |             |                         |                         |
|      |             |                         |                         |
|      |             |                         |                         |
|      |             |                         |                         |
|      |             |                         |                         |
|      |             |                         |                         |
|      |             |                         |                         |
|      |             |                         |                         |
|      |             |                         |                         |
|      |             |                         |                         |
|      |             |                         |                         |
|      |             |                         |                         |
|      |             |                         |                         |
|      |             |                         |                         |
|      |             |                         |                         |
|      |             |                         |                         |
|      |             |                         |                         |

# SERVICE TECHNICIAN NOTES

| Date | Dealer Name | Service Technician Name | Service Performed/Notes |
|------|-------------|-------------------------|-------------------------|
|      |             |                         |                         |
|      |             |                         |                         |
|      |             |                         |                         |
|      |             |                         |                         |
|      |             |                         |                         |
|      |             |                         |                         |
|      |             |                         |                         |
|      |             |                         |                         |
|      |             |                         |                         |
|      |             |                         |                         |
|      |             |                         |                         |
|      |             |                         |                         |
|      |             |                         |                         |
|      |             |                         |                         |
|      |             |                         |                         |
|      |             |                         |                         |
|      |             |                         |                         |
|      |             |                         |                         |
|      |             |                         |                         |
|      |             |                         |                         |
|      |             |                         |                         |
|      |             |                         |                         |

# MASTER PARTS DISTRIBUTOR LIST

To Order Parts Under Warranty, please contact your local Empire dealer. See the dealer locator at [www.empirecomfort.com](http://www.empirecomfort.com). To provide warranty service, your dealer will need your name and address, purchase date and serial number, and the nature of the problem with the unit.

To Order Parts After the Warranty Period, please contact your dealer or one of the Master Parts Distributors listed below. This list changes from time to time. For the current list, please click on the Master Parts button at [www.empirecomfort.com](http://www.empirecomfort.com). Please note: Master Parts Distributors are independent businesses that stock the most commonly ordered Original Equipment repair parts for Heaters, Grills, and Fireplaces manufactured by Empire Comfort Systems Inc.

Dey Distributing  
 1401 Willow Lake Boulevard  
 Vadnais Heights, MN 55101

Phone: 651-490-9191  
 Toll Free: 800-397-1339  
 Website: [www.deydistributing.com](http://www.deydistributing.com)  
 Parts: Heater, Hearth and Grills

F. W. Webb Company  
 200 Locust Street  
 Hartford, CT 06114

Phone: 860-722-2433  
 Toll Free: 800-243-9360  
 Fax: 860-293-0479  
 Toll Free Fax: 800-274-2004  
 Websites: [www.fwwebb.com](http://www.fwwebb.com) & [www.victormfg.com](http://www.victormfg.com)  
 Parts: Heater, Hearth and Grills

East Coast Energy Products  
 10 East Route 36  
 West Long Branch, NJ 07764

Phone: 732-870-8809  
 Toll Free: 800-755-8809  
 Fax: 732-870-8811  
 Website: [www.eastcoastenergy.com](http://www.eastcoastenergy.com)  
 Parts: Heater, Hearth and Grills

## HOW TO ORDER REPAIR PARTS

### Parts Not Under Warranty

Parts can be ordered through your Service Person, Dealer, or a Master Parts Distributor. See this page for the Master Parts Distributors list. For best results, the **service person or dealer** should order parts through the distributor. Parts can be shipped directly to the **service person/dealer**.

### Warranty Parts

Warranty parts will need a proof of purchase and can be ordered by your Service Person or Dealer. Proof of purchase is **required** for warranty parts.

All parts listed in the Parts List have a Part Number. When ordering parts, first obtain the Model Number and Serial Number from the name plate on your equipment. Then determine the Part Number (**not** the Index Number) and the Description of each part from the following illustration and part list. Be sure to give all this information . . .

Fireplace Model Number \_\_\_\_\_ Part Description \_\_\_\_\_  
 Fireplace Serial Number \_\_\_\_\_ Part Number \_\_\_\_\_  
 Type of Gas (Propane or Natural) \_\_\_\_\_

Do not order bolts, screws, washers or nuts. They are standard hardware items and can be purchased at any local hardware store. Shipments contingent upon strikes, fires and all causes beyond our control.

# WARRANTY

Empire Comfort Systems Inc. warrants this hearth product to be free from defects at the time of purchase and for the periods specified below. Hearth products must be installed by a qualified technician and must be maintained and operated safely, in accordance with the instructions in the owner's manual. This warranty applies to the original purchaser only and is not transferable. All warranty repairs must be accomplished by a qualified gas appliance technician.

## **Limited Lifetime Parts Warranty with a Five-Year Limited Labor Warranty – Combustion Chamber and Heat Exchanger**

If the combustion chamber or heat exchanger (see parts list) fails because of defective workmanship or material, Empire will repair or replace at Empire's option. Within five years from the date of purchase, Empire will pay reasonable labor to have the defective part repaired or replaced at Empire's option.

## **Limited Five-Year Parts & Labor Warranty – All Other Components (Except Remote Controls, Thermostats, Accessories and Replacement Parts)**

Should any part fail because of defective workmanship or material within five years from the date of purchase, Empire will repair or replace at Empire's option. Within five years from the date of purchase, Empire will pay reasonable labor to have that defect repaired at Empire's option.

## **Limited One-Year Parts Warranty – Remote Controls, Thermostats, Accessories, and Parts**

Should any remote control, thermostat, accessory, or other part fail because of defective workmanship within one year from the date of purchase, Empire will repair or replace at Empire's option.

## **Duties Of The Owner**

The appliance must be installed by a qualified installer and operated in accordance with the instructions furnished with the appliance. A bill of sale, cancelled check, or payment record should be kept to verify purchase date and establish warranty period. Ready access to the appliance for service.

## **What Is Not Covered**

Damages that might result from the use, misuse, or improper installation of this appliance.  
Travel, diagnostic costs and freight charges on warranted parts to and from the factory.  
Claims that do not involve defective workmanship or materials.  
Unauthorized service or parts replacements.  
Removal and reinstallation cost.  
Inoperable due to improper or lack of maintenance.

## **How To Get Service**

To make a claim under this warranty, please have your receipt available and contact your installing dealer. Provide the dealer with the model number, serial number, type of gas, and purchase verification. The installing dealer is responsible for providing service and will contact the factory to initiate any warranted parts replacements. Empire will make replacement parts available at the factory. Shipping expenses are not covered.

If, after contacting your Empire dealer, service received has not been satisfactory, contact: Consumer Relations Department, Empire Comfort Systems Inc., PO Box 529, Belleville, Illinois 62222, or send an e-mail to [info@empirecomfort.com](mailto:info@empirecomfort.com) with "Consumer Relations" in the subject line.

## **Your Rights Under State Law**

This warranty gives your specific legal rights, and you may also have other rights, which vary from state to state.



SINCE 1932

[www.empirecomfort.com](http://www.empirecomfort.com)

**Empire Comfort Systems Inc.**  
**Belleville, IL**

If you have a general question  
about our products, please e-mail  
us at [info@empirecomfort.com](mailto:info@empirecomfort.com).

If you have a service or repair  
question, please contact your dealer.